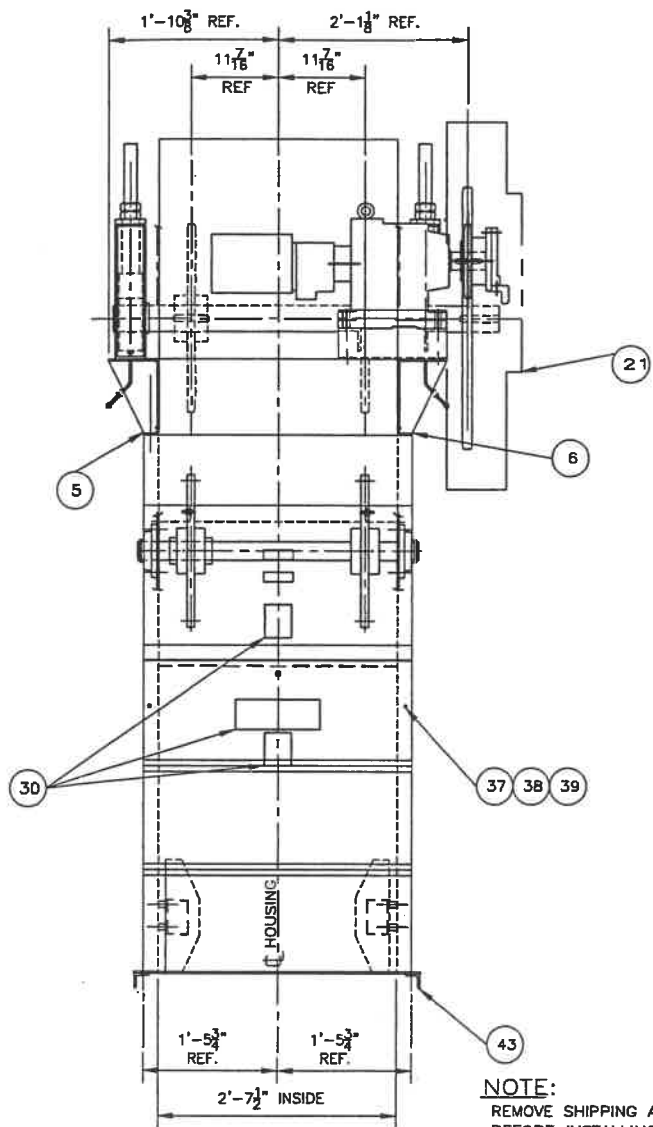
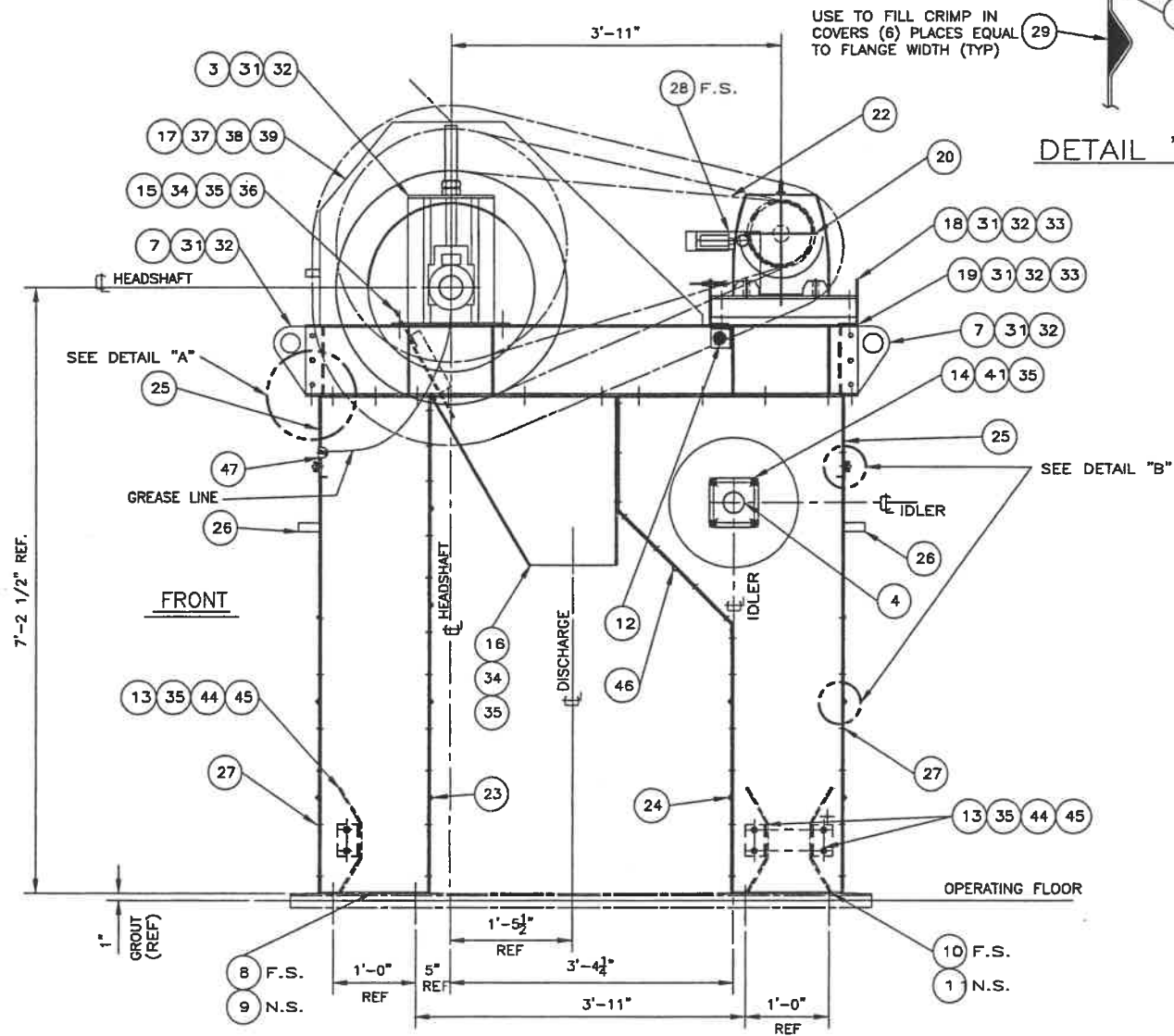


USE TO FILL CRIMP IN COVERS (6) PLACES EQUAL TO FLANGE WIDTH (TYP)

DETAIL "B"



NOTE:  
REMOVE SHIPPING ANGLES  
BEFORE INSTALLING  
EQUIPMENT

IDENTIFICATION		DWC NO. 22745-206		MATERIAL LIST		
GROUP	ITEM	QUAN	PART NUMBER	SPECIFICATION	REFERENCE	A.O. NUMBER
		ONE	22745-206-A	GRIT COLLECTOR HOUSING ASSEMBLY		
	3	1	22745-210-A	HEAD SHAFT ASSEMBLY 3 7/16"φ		
	4	1	22745-210-B	IDLER SHAFT ASSEMBLY 2 7/16"φ		
	5	1	503-82256-85	HEAD SECTION SUPPORT FRAME		
	6	1	503-82256-185	HEAD SECTION SUPPORT FRAME		
	7	2	503-82243-126	HEAD SECTION SUPPORT CHANNEL		
	8	1	22745-208-C	LOWER SUPPORT FRAME		
	9	1	22745-208-D	LOWER SUPPORT FRAME		
	10	1	22745-208-B	IDLER SUPPORT FRAME		
	11	1	22745-208-A	IDLER SUPPORT FRAME		
	12	1	503-82353-126	DRIVE MOUNTING ANGLE		
	13	6	503-2825-81	CHAIN GUIDES		
	14	2	303-70262-2	FLANGE BEARINGS		-251-43
	15	1	22745-220-A	DEFLECTOR ASSEMBLY		
	16	1	22745-207-A	DISCHARGE CHUTE		
	17	1	503-82273-126	HEADSHAFT HOOD		
	18	1	503-82277-91	DRIVE BASE (SEW R90)		
	19	1	103-255-47	DRIVE BASE COVER		
**	20	-	22745-211-A	DRIVE ASSEMBLY		
**	21	-	22745-217-A	CHAIN GUARD		
**	22	-	B41-28046	STRAND OF #R1033 DRIVE CHAIN		-251-13
				55 PITCHES (APPROX. 13'-11" LG.)		
A	23	1	22745-209-1	COVER (INSIDE FRONT)		
	24	1	22745-209-3	COVER (INSIDE REAR)		
	25	2	503-82257-126	UPPER DOOR PANEL		
	26	2	503-82246-126	INSPECTION DOOR		
	27	2	22745-209-4	LOWER DOOR PANEL		
**	28	-	503-82319-307	LIMIT SWITCH ASSEMBLY (NEMA 4)		
Δ	29	33	303-1323-15	PRESSURE SENSITIVE NEOPRENE		
	30	1	603-20536-80	WARNING LABEL KIT		
	31	30	841-09981	5/8"φ x 1 3/4" LG. HHCS	304 SST	
	32	30	841-20301	5/8"φ HEX NUT	304 SST	
	33	12	841-22005	5/8"φ WASHER	304 SST	
	34	12	841-09322	1/2"φ x 1 1/4" LG. HHCS	304 SST	
	35	45	841-20211	1/2"φ HEX NUT	304 SST	
	36	4	841-21923	1/2"φ WASHER	304 SST	
	37	90	841-08665	3/8"φ x 1" LG. HHCS	304 SST	
	38	90	841-20130	3/8"φ HEX NUT	304 SST	
	39	90	841-21855	3/8"φ WASHER	304 SST	
	40	6	841-21481	3/8"φ WINGNUT	304 SST	
	41	8	841-09420	1/2"φ x 2" LG. HHCS	304 SST	
	42	4	103-51508-1	INSPECTION DOOR CLIP		
***	43	2	103-51531-1	SHIPPING BRACE		
	44	12	941-29566-1.00	PIPE, 1/2" x 1.00 LG.	304 SST	
	45	12	841-09461	1/2"φ x 1 1/4" LG. HHCS	304 SST	
	46	1	22745-209-2	COVER (UPPER INSIDE REAR)		
	47	2	8P3-10241-1	LUBE LINE BRACKET		

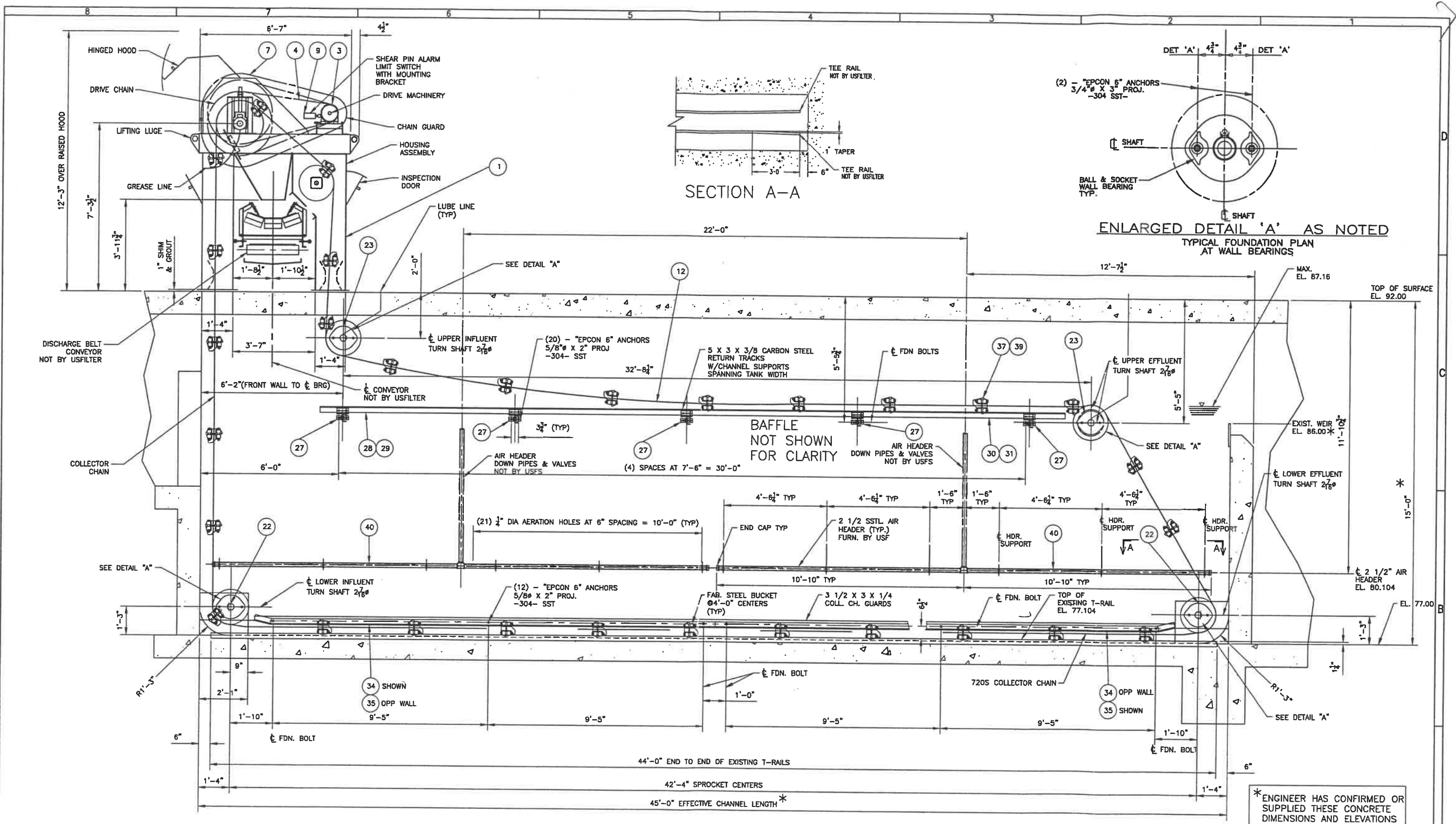
\*\* SHOP ASSEMBLE, INSPECT, AND REMOVE FOR SHIPMENT  
\*\*\* USE HARDWARE FROM FLOOR STOCK FOR ASSEMBLY OF SHIPPING ANGLES

AUTH GRP 'A' ON DWG 22745-115

SHOP FINISH PER INSTRUCTIONS ON DWG 22745-115

GRIT COLLECTOR HOUSING ASSEMBLY - GRP.'A'

DIMENSIONS IN INCHES UNLESS SPECIFIED TOLERANCES UNLESS OTHERWISE SPECIFIED TWO (2) PLACE DECIMAL ±.06 THREE (3) PLACE DECIMAL ±.008 ANGULAR ±.50° STRUCTURAL DIMENSIONS ±1/16 MACHINED SURFACES 200/	COMPANY CONFIDENTIAL THIS DOCUMENT AND ALL INFORMATION CONTAINED HEREIN ARE THE PROPERTY OF THE USER AND/OR ITS AFFILIATES ("USER"). THE DESIGN CONCEPTS AND INFORMATION CONTAINED HEREIN ARE PROPRIETARY TO USER AND ARE SUBMITTED IN CONFIDENCE. THEY ARE NOT TRANSFERABLE AND MUST BE USED ONLY FOR THE PURPOSE FOR WHICH THE DOCUMENT IS EXPRESSLY LOANED. THEY MUST NOT BE DISCLOSED, REPRODUCED, LOANED OR USED IN ANY OTHER MANNER WITHOUT THE EXPRESS WRITTEN CONSENT OF USER. IN NO EVENT SHALL THEY BE USED IN ANY PATENT RIGHTS ARE RESERVED. UPON THE DEMAND OF USER, THIS DOCUMENT, ALONG WITH ALL COPIES AND EXTRACTS, AND ALL RELATED NOTES AND ANALYSES, MUST BE RETURNED TO USER OR DESTROYED AS INSTRUCTED BY USER. ACCEPTANCE OF THE DELIVERY OF THIS DOCUMENT CONSTITUTES AGREEMENT TO THESE TERMS AND CONDITIONS.	DESIGNER: CONNER CHECKER: JAN ENGINEER: NATOLJ MANAGER: CEREBI DATE: 1/6/05 DATE: 1/6/05 DATE: 1/6/05 DATE: 1/6/05	TITLE: GRIT COLLECTOR HOUSING ASSEMBLY CLIENT: ENVIREX PRODUCTS CHALFONT, PA TEL: 1-800-207-9490
1 CHANGED ITEM 15 P/N & ITEM 29 QTY 3-14-05 APC SOG JAN	PROJECT: 22745-02 CODE: 4010 DRAWING: 22745-206 SHEET: 1 OF 1 REV: 1	FILE: 22745-206_1.DWG SCALE: NONE	USFilter



CITY OF ROCKY MOUNT, NORTH CAROLINA  
 TAR RIVER WASTEWATER TREATMENT PLANT  
 ENGINEER: PEIRSON & WHITMAN ARCHITECTS & ENGINEERS  
 CONTRACTOR: LAUGHLIN-SUTTON CONSTRUCTION CO.  
 EQUIPMENT: REX CHAIN AND BUCKET GRIT COLLECTOR MECHANISM  
 SPECIFICATION SECTION: 1H1  
 USFILTER CONTRACT NUMBER: 22745

REV	DESCRIPTION	DATE	DWN	CHD	APVD	ECN
1	PIECE MARKS ADDED AND DIMENSIONS CONFIRMED	1-12-05	APC	DCW	JAN	

**COMPANY CONFIDENTIAL**  
 THIS DOCUMENT AND ALL INFORMATION CONTAINED HEREIN ARE THE PROPERTY OF THE USFILTER AND/OR ITS AFFILIATED ("USF"). THE DESIGN CONCEPTS AND INFORMATION CONTAINED HEREIN ARE PROPRIETARY TO USF AND ARE SUBMITTED IN CONFIDENCE. THEY ARE NOT TRANSFERABLE AND MUST BE USED ONLY FOR THE PURPOSE FOR WHICH THE DOCUMENT IS EXPRESSLY ISSUED. THEY MUST NOT BE REPRODUCED, LOANED OR USED BY ANY OTHER PERSON WITHOUT THE EXPRESS WRITTEN CONSENT OF USF. IF NO EXIST SHALL THEY BE USED IN ANY MANNER DETRIMENTAL TO THE INTEREST OF USF. ALL PATENT RIGHTS ARE RESERVED. UPON THE DEMAND OF USF, THIS DOCUMENT, ALONG WITH ALL COPIES AND EXTRACTS, AND ALL RELATED NOTES AND ANALYSES, MUST BE RETURNED TO USF OR DESTROYED, AS INSTRUCTED BY USF. ACCEPTANCE OF THE DELIVERY OF THIS DOCUMENT CONSTITUTES AGREEMENT TO THESE TERMS AND CONDITIONS.

DESIGNER: NATOLI DATE: 10-8-04  
 CHECKER: TJC DATE: 10-21-04  
 ENGINEER: JAN DATE: 10-8-04  
 MANAGER: CEREBI DATE: 10-8-04  
 FILE: 22745-201.DWG  
 SCALE: NONE

PROJECT	CODE	DRAWING	SHEET	REV
22745	4010	22745-201	1 OF 1	1

GENERAL ARRANGEMENT  
 ELEVATION THRU GRIT CHANNEL  
 CHAIN & BUCKET COLLECTOR  
 CLIENT: LAUGHLIN-SUTTON CONSTR. CO.  
 ROCKY MOUNT, NC.  
 USFilter ENVIREX PRODUCTS  
 CHALFONT, PA  
 TEL: 1-800-207-9490

\* ENGINEER HAS CONFIRMED OR SUPPLIED THESE CONCRETE DIMENSIONS AND ELEVATIONS