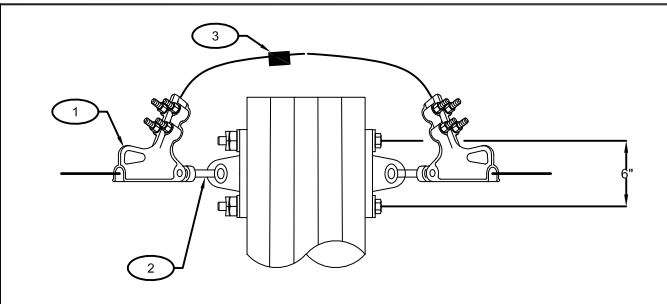


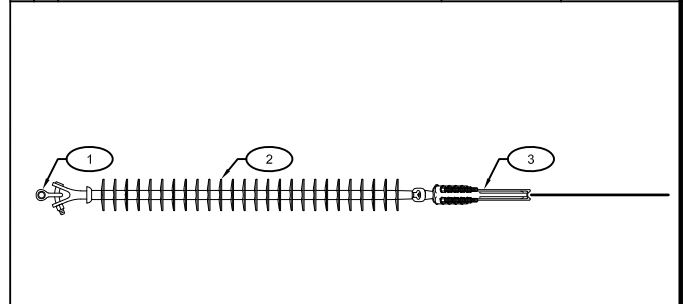
TG-27D GUY ATTACHMENT ASS'Y MED. DUTY GUYING TEE

KEY	QTY	DESCRIPTION	MFG.	MFG. NO.
1	2	POLE EYE PLATE, MEDIUM DUTY		
2	2	BOLT, MACHINE W/ NUT 7/8" x REQ'D LENGTH		
3	4	WASHER, GALV. FLAT, 2" O.D. x 15/16" ROUND		
4	2	7/8" LOCKNUT, MF TYPE		
5				
6				
7				
8				
9				
10				



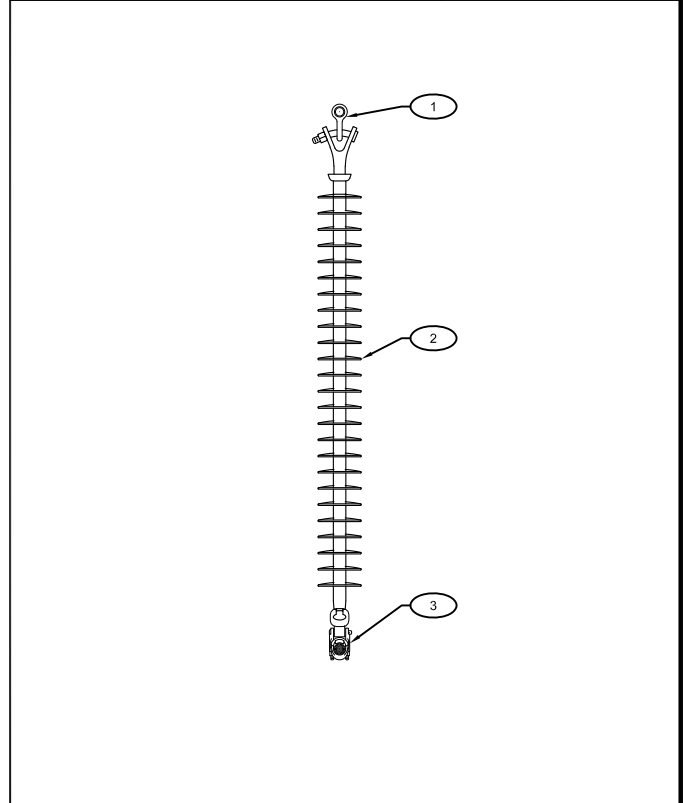
TM-4D OHGW ASSEMBLY, DEADEND

KEY	QTY	DESCRIPTION	MFG.	MFG. NO.
1	2	STRAIN CLAMP W/ SOCKET EYE		
2	2	Y-CLEVIS BALL		
3	1	SQUEEZON 3/8"H.S. TO 3/8"H.S.		
4				
5				
6				
7				
8				
9				
10				



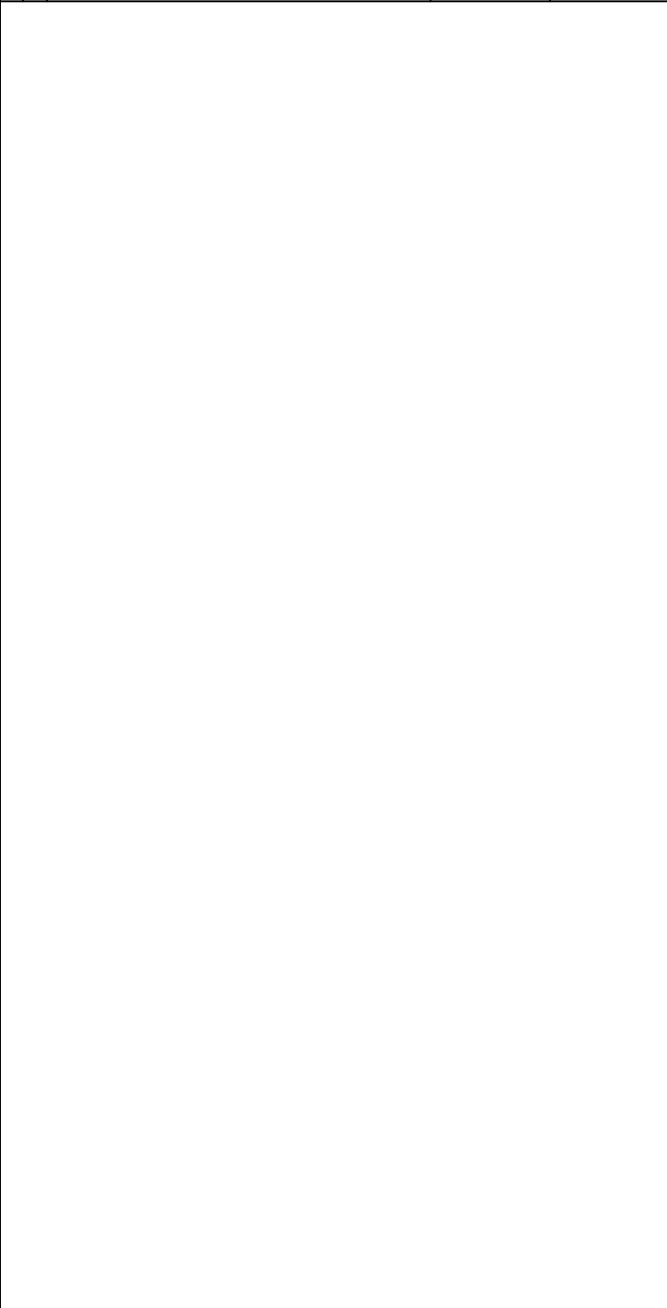
TM-1PD INSULATOR ASSEMBLY, 69 kV SUSPENSION w/ STRAIN CLAMP

KEY	QTY	DESCRIPTION	MFG.	MFG. NO.
1	1	ANCHOR SHACKLE (30k)		
2	1	POLYMER SUSPENSION INSULATOR (Y-CLEVIS, BALL)		
3	1	STRAIN CLAMP W/ SOCKET EYE		
4				
5				
6				
7				
8				
9				
10				



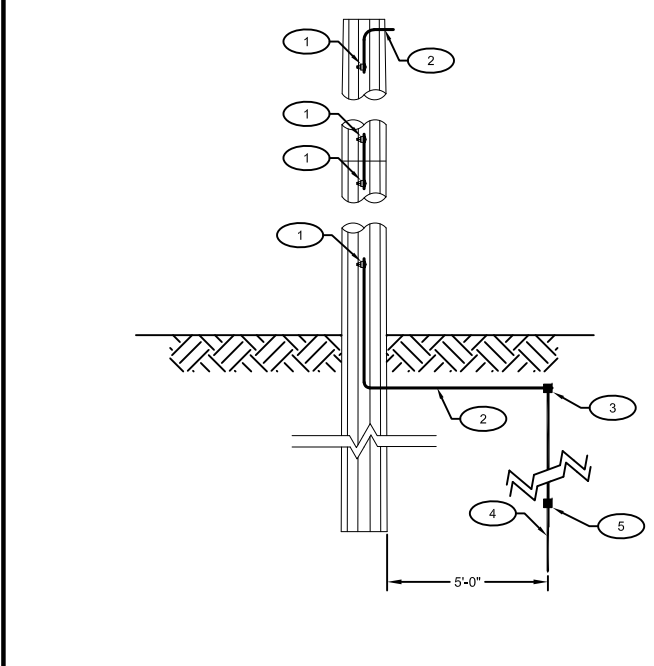
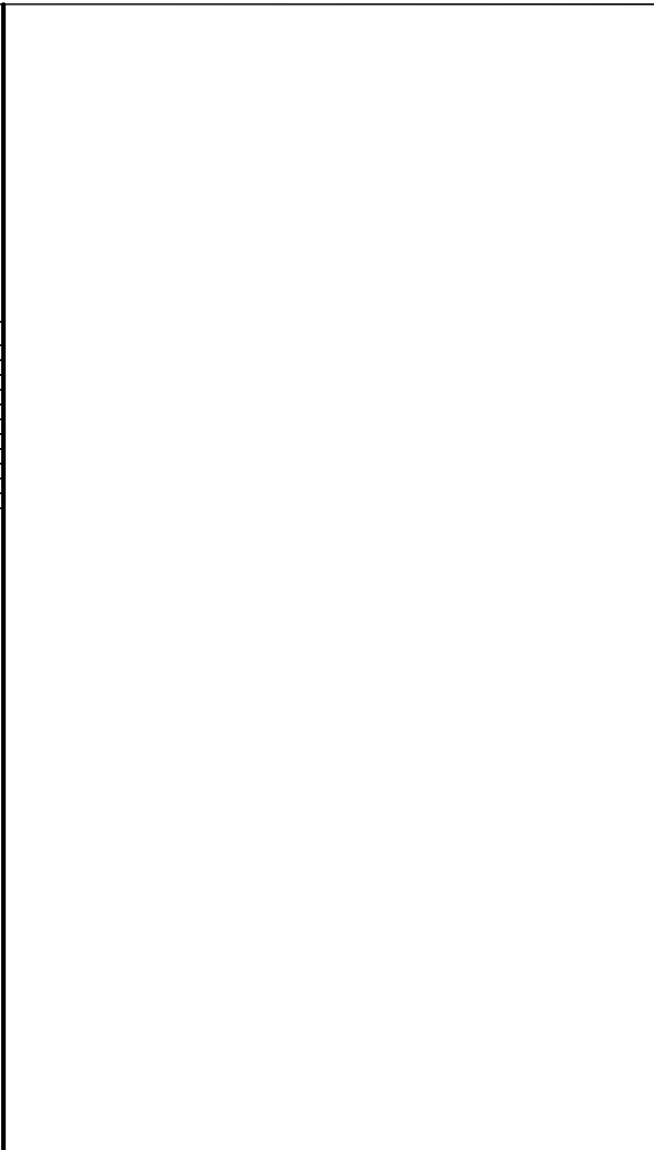
TM-1PC INSULATOR ASSEMBLY, 69 kV SUSPENSION w/ SUSP. CLAMP

KEY	QTY	DESCRIPTION	MFG.	MFG. NO.
1	1	ANCHOR SHACKLE (30k)		
2	1	POLYMER SUSPENSION INSULATOR (Y-CLEVIS, BALL)		
3	1	SUSPENSION CLAMP		
4				
5				
6				
7				
8				
9				
10				



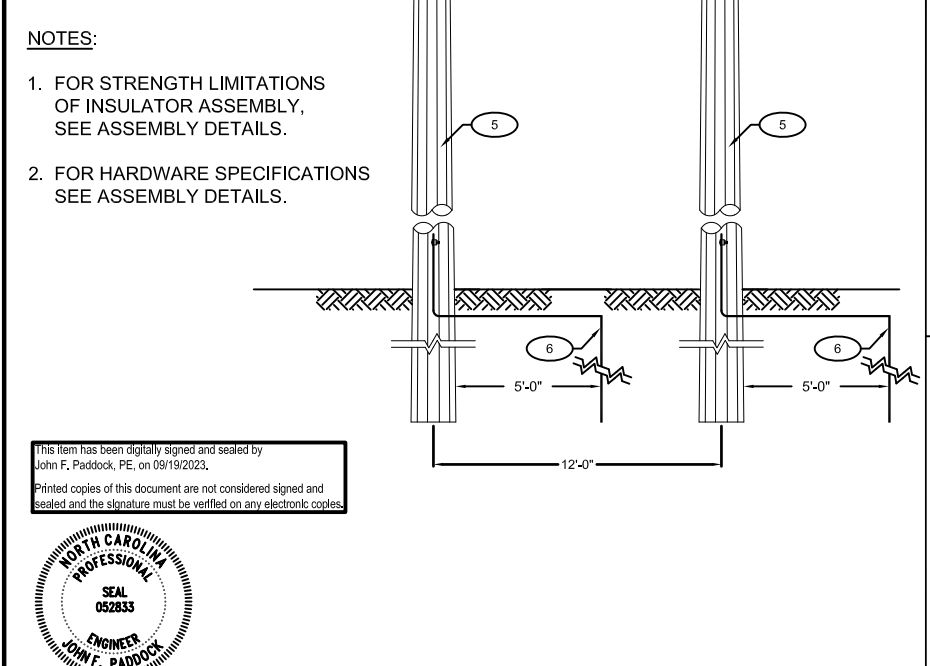
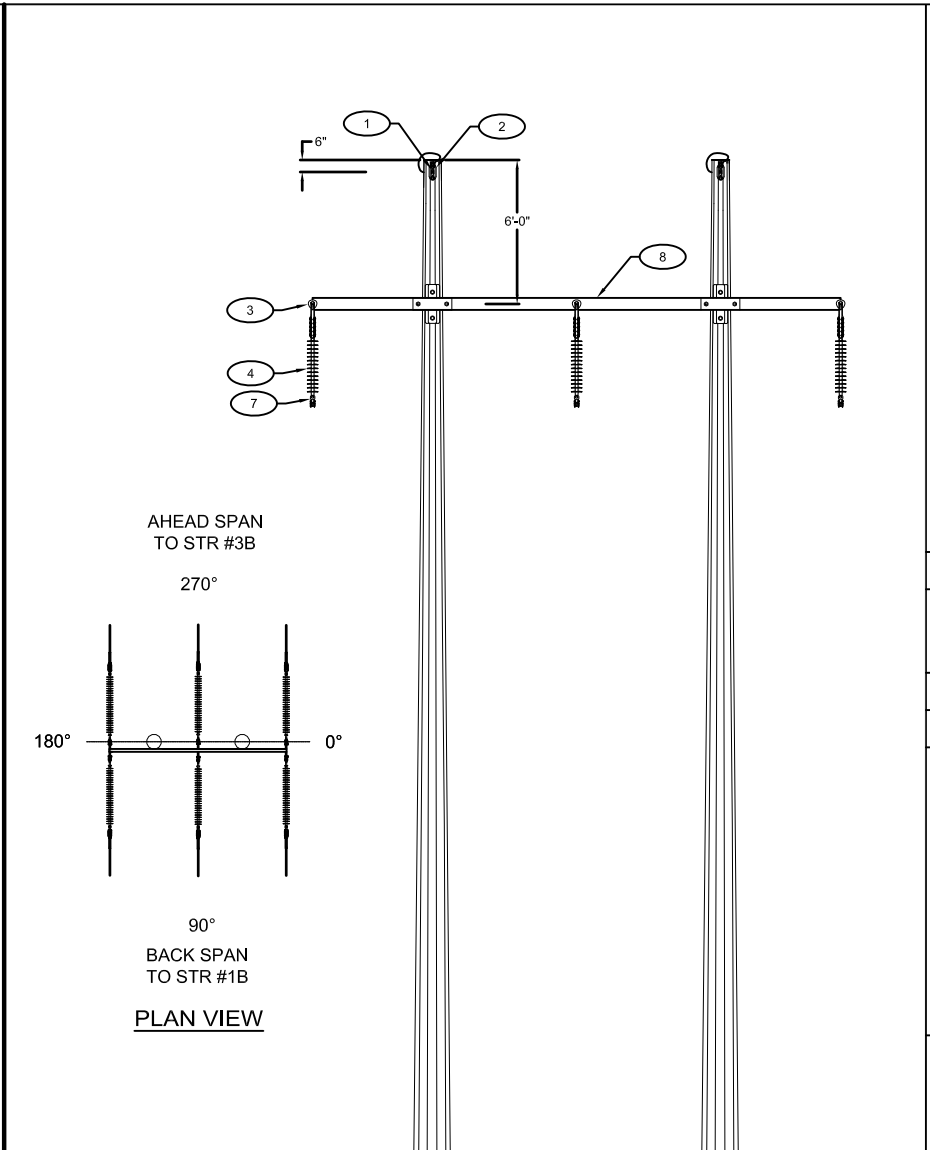
TM-9S GROUNDING ASSEMBLY STEEL POLE

KEY	QTY	DESCRIPTION	MFG.	MFG. NO.
1	4	CONNECTOR FOR #4 AWG		
2	1	WIRE, COPPERWELD, #4 AWG x 30'-0"		
3	1	CLAMP, GROUND ROD		
4	2	ROD, GROUND, COPPERCLAD 3/4" x 8'-0"		
5	1	COUPLING FOR 3/4" CU ROD		
6				
7				
8				
9				
10				



TH-7G(S) STRUCTURE #2B

KEY	QTY	DESCRIPTION	DET.	MFG. NO.
1	2	OHGW ASSEMBLY, DEADEND	TM-4D	
2	2	BACK TO BACK GUY ATTACHMENT ASSEMBLY MEDIUM DUTY GUYING TEE	TG-27D	
3	6	INSULATOR ASSEMBLY, 69KV SUSPENSION w/ STRAIN CLAMP	TM-1PD	
4	3	INSULATOR ASSEMBLY, 69KV SUSPENSION w/ SUSPENSION CLAMP	TM-1PC	
5	2	GALVANIZED STEEL POLE	-	
6	2	GROUNDING ASSEMBLY, STEEL POLE	TM-9S	
7	3	LOOP SLEEVE - 1272 (36/1) ACSR	-	
8	1	22' STEEL CROSSARM	-	
9				
10				



TH-7G(S) STRUCTURE #2B

KEY	QTY	DESCRIPTION	DET.	MFG. NO.
1	2	OHGW ASSEMBLY, DEADEND	TM-4D	
2	2	BACK TO BACK GUY ATTACHMENT ASSEMBLY MEDIUM DUTY GUYING TEE	TG-27D	
3	6	INSULATOR ASSEMBLY, 69KV SUSPENSION w/ STRAIN CLAMP	TM-1PD	
4	3	INSULATOR ASSEMBLY, 69KV SUSPENSION w/ SUSPENSION CLAMP	TM-1PC	
5	2	GALVANIZED STEEL POLE	-	
6	2	GROUNDING ASSEMBLY, STEEL POLE	TM-9S	
7	3	LOOP SLEEVE - 1272 (36/1) ACSR	-	
8	1	22' STEEL CROSSARM	-	
9				
10				

DRG <small>TECHNICAL SOLUTIONS 7535 FRANKLIN DR. COLUMBIA, SC 29212 (803) 766-6948</small>	SUB 10 - POD 1 69 kV TRANSMISSION LINE TH-7G(S) STRUCTURE	DRAWN: DRG-ANAH DESIGN BY: DRG-JFP REV. NO. DATE: 09/19/2023 CHECKED: DRG-JFP 0 SCALE: NONE PROJ. NO. COUNTY: MSH PLY. DATE: 09/19/2023 2:53 PM STRUCTURE MATERIAL: STEEL	<p>CITY OF ROCKY MOUNT 331 S. FRANKLIN ST., PO BOX 1180 ROCKY MOUNT, NC 27802 (252) 972-1111</p>
32405			