

FIG. 1  
CLASS-C  
SHAPED BOTTOM

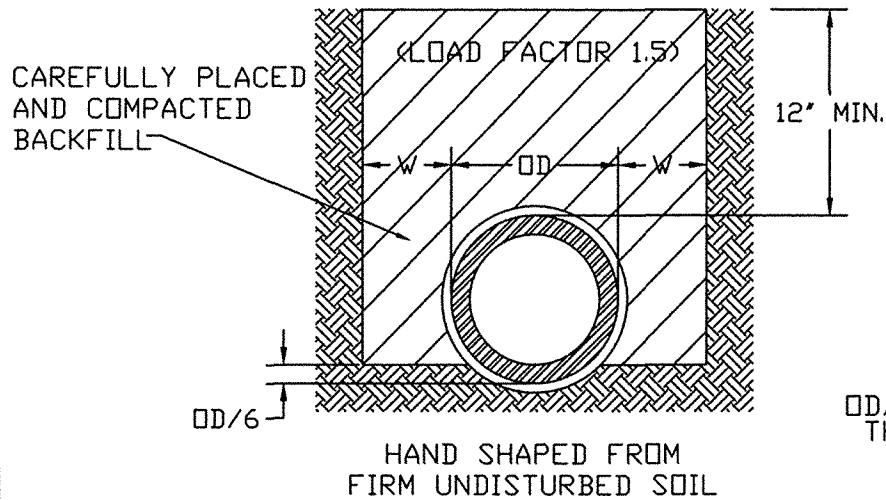


FIG. 2  
CLASS-C  
SHAPED BOTTOM

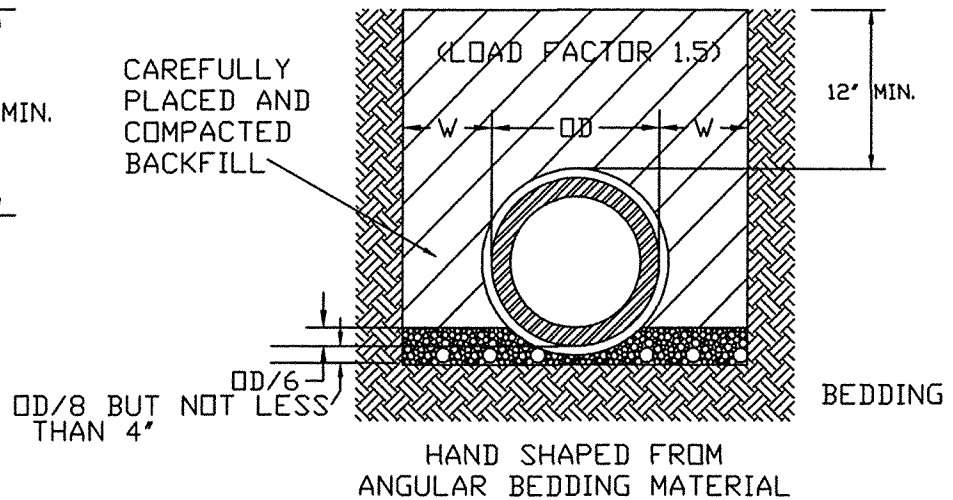
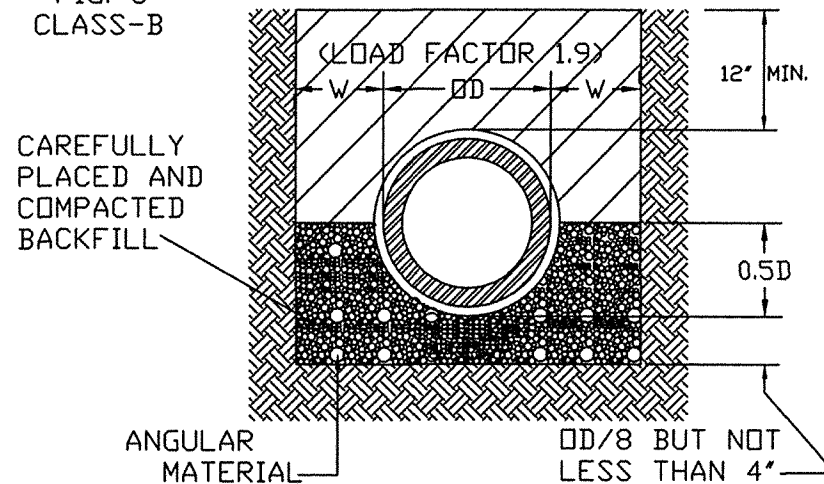


FIG. 3  
CLASS-B



NOTES:

1. THE LOAD ON THE PIPE INCREASES AS THE WIDTH OF THE TOP OF THE TRENCH INCREASES. THEREFORE, TRENCH WIDTH SHALL BE LIMITED AS MUCH AS POSSIBLE. WHERE DEPTH OF TRENCH EXCEEDS 20' OR WIDTH "W" EXCEEDS TWICE THE OUTSIDE DIAMETER ("OD" X 2,) CLASS A BEDDING WITH FULL OR PARTIAL CONCRETE ENCASEMENT MAY BE REQUIRED.
2. ANGULAR BEDDING MATERIAL SHALL BE A CLEAN, WASHED AND GRADED STONE MIX SUCH AS NCDOT #67.
3. ALL TYPICAL CROSS-SECTIONS ARE BASED ON STABLE EXISTING OR WELL COMPACTED SUBGRADE. WHERE YIELDING CONDITIONS EXIST, UNDERCUT AND CONDITIONING STONE MAY BE REQUIRED.

**BEDDING DETAIL FOR VITRIFIED CLAY PIPE**

CITY OF ROCKY MOUNT  
DEPT. OF ENGINEERING

APPROVED

-

DATE

04-05-04

STD. NO.

1.3

REVISION

-

REVISIONS		
NO	DATE	DESCRIPTION