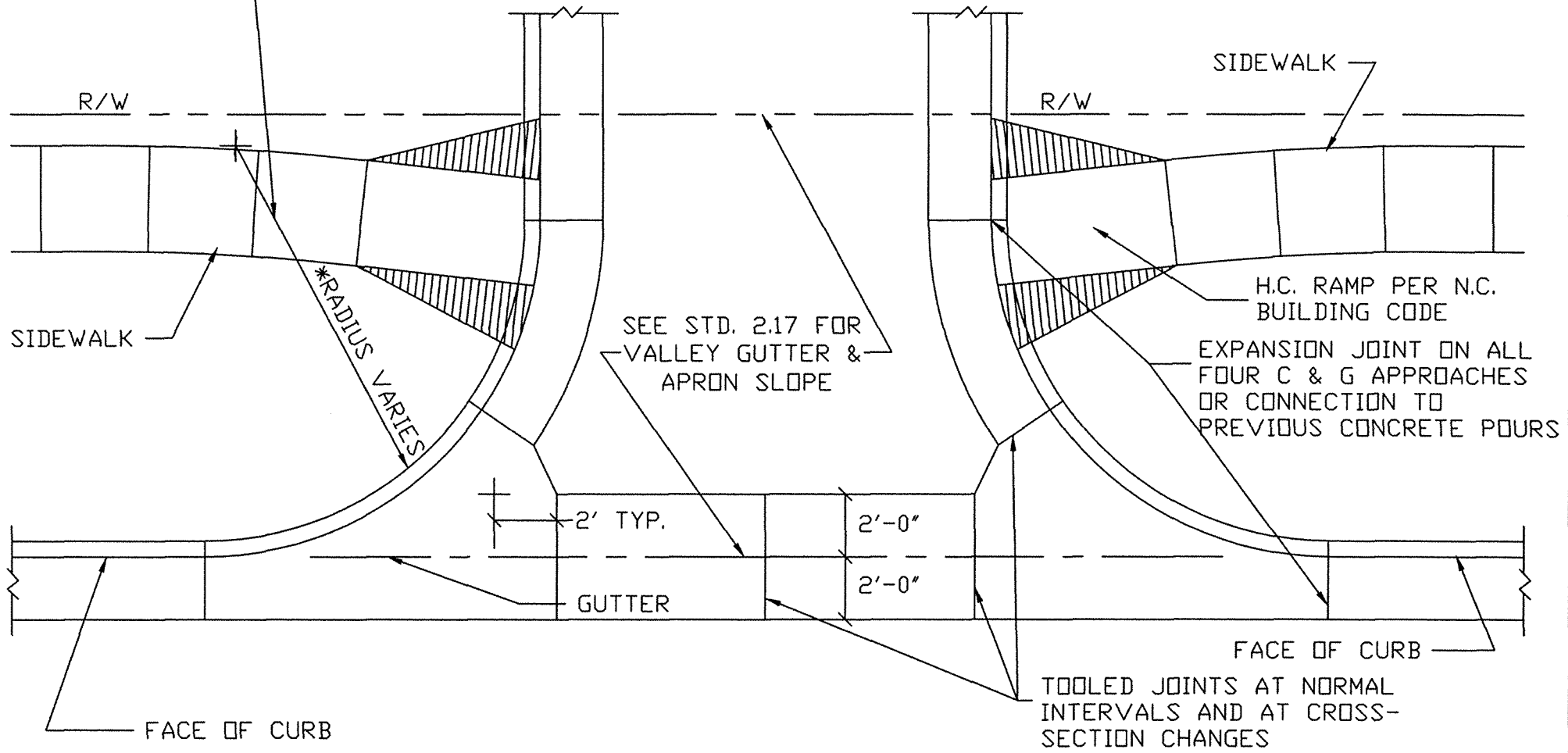


* RADIUS FOR STREET TYPE DRIVES TO BE A MIN. OF 15 FEET OR AS DIRECTED BY TRAFFIC ENGINEER. SEE THE DESIGN SECTION FOR "SIDEWALK AND DRIVEWAY".



STANDARD STREET TYPE DRIVEWAY

REVISIONS		
NO	DATE	DESCRIPTION

CITY OF ROCKY MOUNT
DEPT. OF ENGINEERING

APPROVED	STD. NO. 2.17
DATE 02-26-03	REVISION