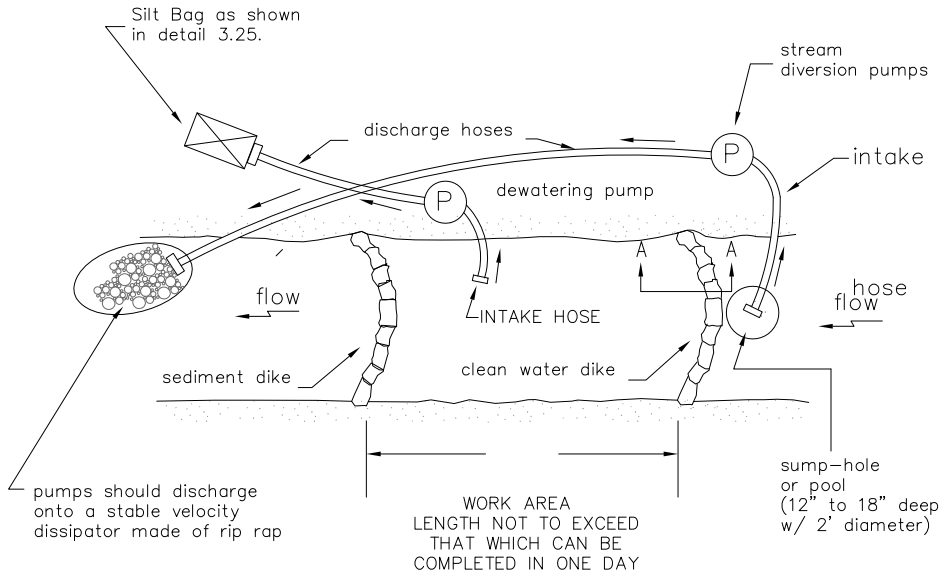
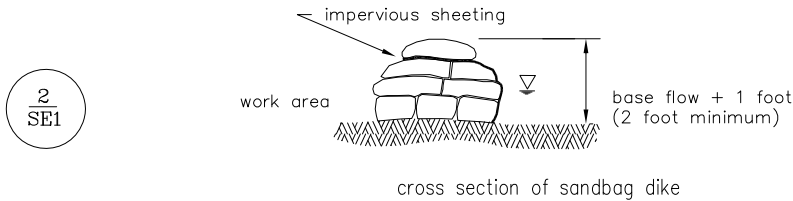


PUMP-AROUND PRACTICE

PLAN VIEW



SECTION A-A



PUMP-AROUND PRACTICE

DESCRIPTION:

The work should consist of installing a temporary pump around and supporting measures to divert flow around in-stream construction sites.

IMPLEMENTATION SEQUENCE:

Sediment control measures, pump-around practices, and associated channel and bank construction should be completed in the following sequence (refer to Detail 2/SE1):

- 1 Construction should not begin until all sediment and erosion control measures have been installed and approved by the engineer and the sediment control inspector. The contractor should stay within the limits of the disturbance as shown on the plans and minimize disturbance within the work area whenever possible.
- 2 Upon installation of all sediment control measures and approval by the sediment control inspector, the contractor should begin work at the upstream section and proceed downstream beginning with the establishment of stabilized construction entrances. In some cases, work may begin downstream if appropriate. The sequence of construction must be followed unless the contractor gets written approval for deviations from the engineer or local authority. Work should not be conducted in the channel during rain events.
- 3 Sandbag dikes should be situated at the upstream and downstream ends of the work area as shown on the plans, and stream flow should be pumped around the work area. The pump should discharge onto a stable velocity dissipater made of riprap.
- 4 Excavated topsoil and subsoil should be kept separate, placed on the upland side of the excavation, and replaced in their natural order.
- 5 All construction should take place during stream low flows. The length of construction time should be limited to a maximum of 2 days for each crossing.
- 6 Water from the work area should be pumped to a dewatering bag as shown in detail 3.25. The measure should be located such that the water drains back into the channel below the downstream sandbag dike.
- 7 Traversing a channel reach with equipment within the work area where no work is proposed should be avoided. If equipment has to traverse such a reach for access to another area, then timber mats or similar measures should be used to minimize disturbance to the channel. Temporary stream crossings should be used only when necessary and only where noted on the plans or specified.
- 8 All stream restoration measures should be installed as indicated by the plans and all banks graded in accordance with the grading plans and typical cross-sections. All grading must be stabilized at the end of each day with seed and mulch or seed and matting as specified on the plans.
- 9 After an area is completed and stabilized, the clean water dike should be removed. After the first sediment flush, a new clean water dike should be established upstream from the old sediment dike. Finally, upon establishment of a new sediment dike below the old one, the old sediment dike should be removed.
- 10 The contractor is responsible for providing access to and maintaining all erosion and sediment control devices until the sediment control inspector approves their removal.

PUMP AROUND PRACTICE

CITY OF ROCKY MOUNT
DEPT. OF ENGINEERING

APPROVED

-

DATE

05-20-10

STD. NO.

3.26

REVISION

-

REVISIONS

NO	DATE	DESCRIPTION