

CONSTRUCTION NOTES:
 FOR INSTALLATION, REFER TO MATERIAL AND
 CONSTRUCTION NOTES ON STD. DWG. 4.2,
 PRECAST CONCRETE MANHOLE NOTES

ELEVATION VIEW

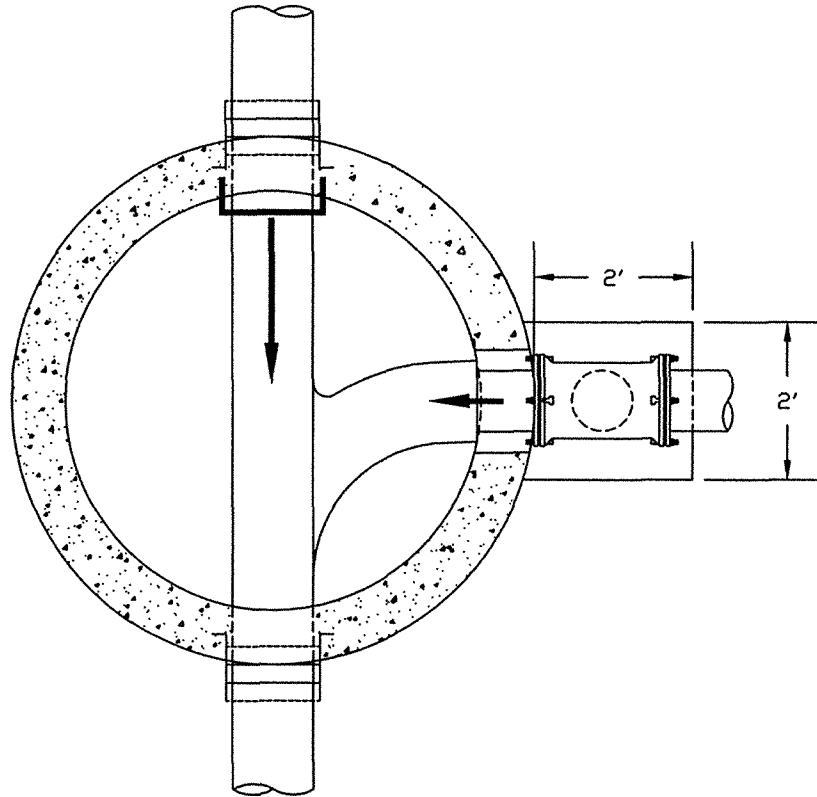
PRECAST CONCRETE RING OR
 BRICK & MORTAR GRADE ADJUSTMENT
 (LIMIT - THREE COURSES OR 6' MAX.)

C.I. FRAME & COVER PER STD. DWG.
 NO. 4.6 (OR 4.7 FOR WATERTIGHT)
 SECURED WITH MORTAR

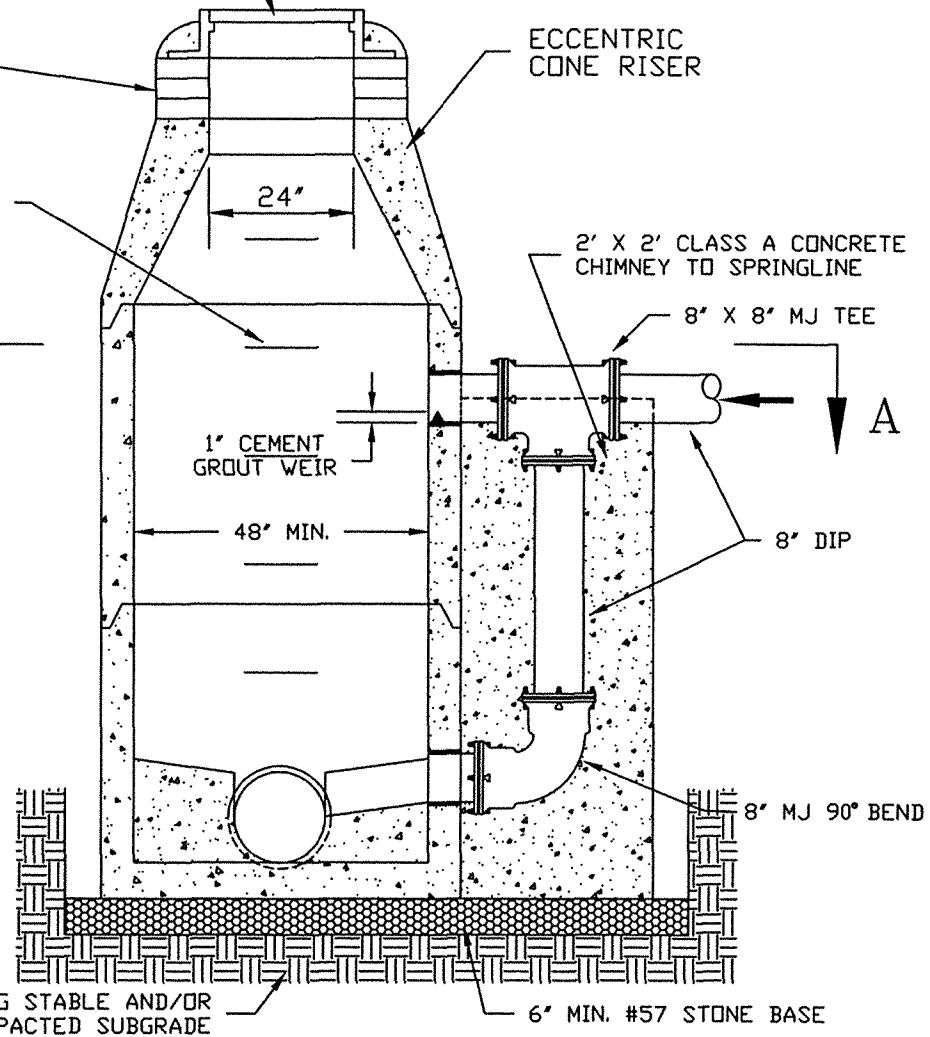
ECCENTRIC
 CONE RISER

SECTION A-A

STEPS PER STD. DWG.
 NO. 4.8 @ 16" O.C.



A



A

PRECAST CONCRETE MANHOLE WITH OUTSIDE DROP

CITY OF ROCKY MOUNT
 DEPT. OF ENGINEERING

APPROVED

STD. NO.

-

4.3

DATE

REVISION

04-10-99

-

REVISIONS		
NO	DATE	DESCRIPTION