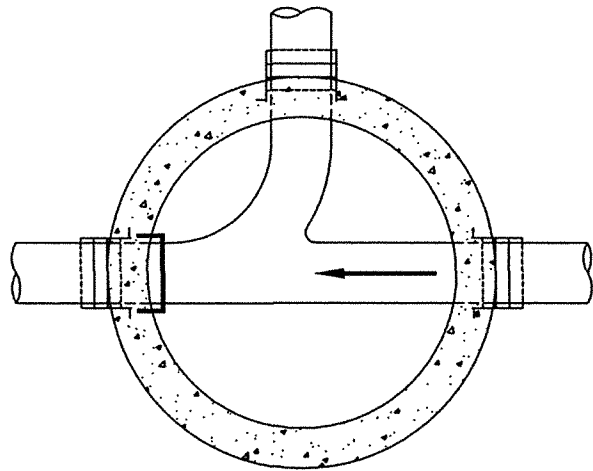
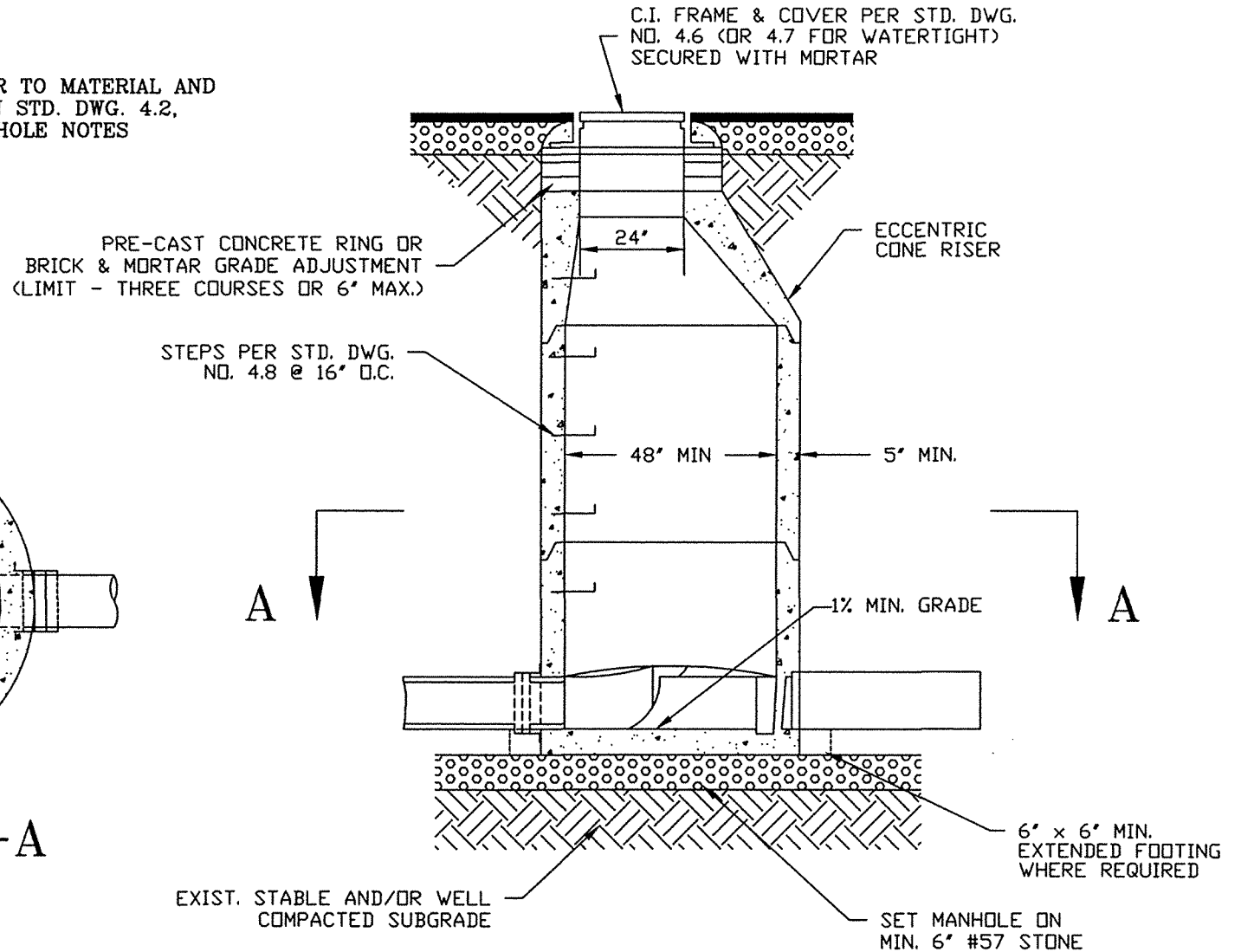


CONSTRUCTION NOTES:

FOR INSTALLATION, REFER TO MATERIAL AND
CONSTRUCTION NOTES ON STD. DWG. 4.2,
PRECAST CONCRETE MANHOLE NOTES



SECTION A-A



PRECAST CONCRETE MANHOLE

CITY OF ROCKY MOUNT
DEPT. OF ENGINEERING

APPROVED

-

STD. NO.

4.1

DATE

04-10-99

REVISION

-

REVISIONS		
NO	DATE	DESCRIPTION