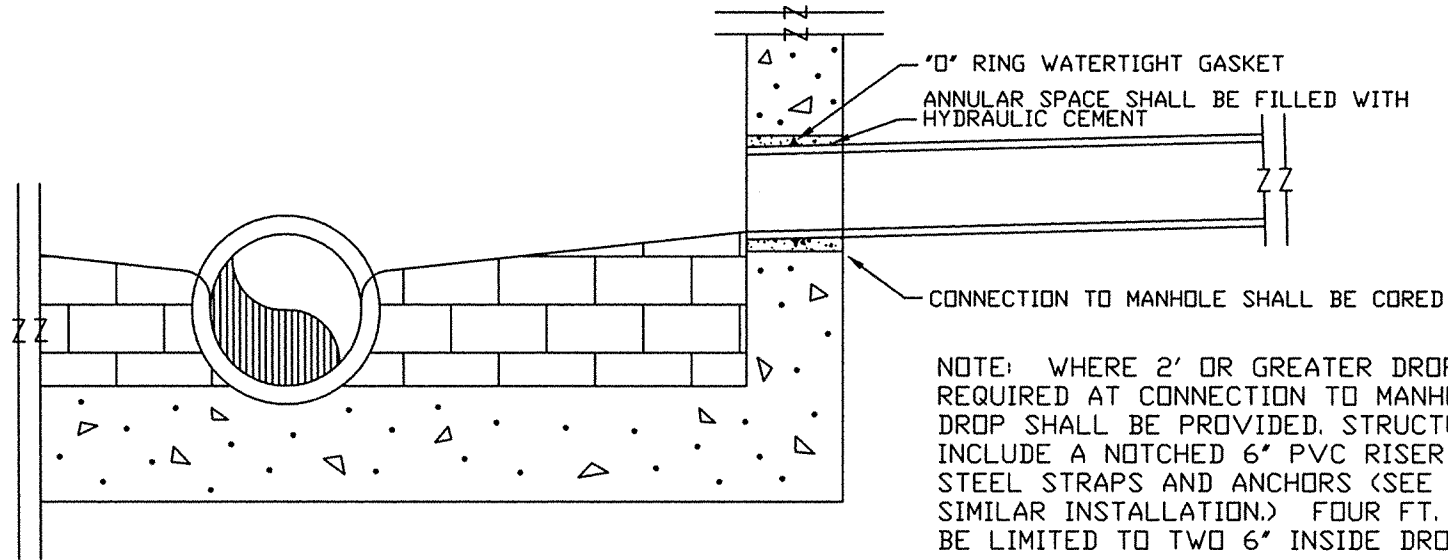
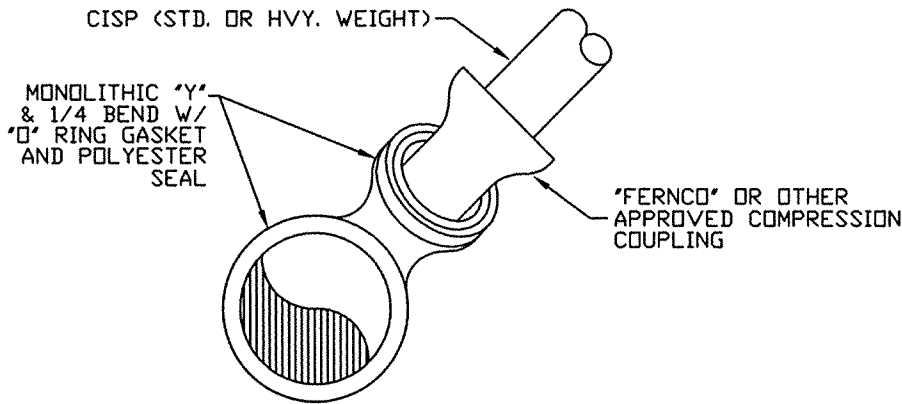


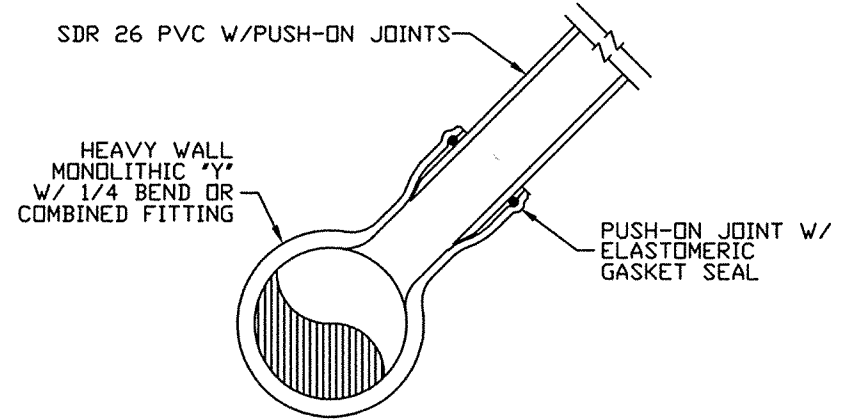
MANHOLE CONNECTION



NEW VCP MAIN CONNECTION



NEW PVC MAIN CONNECTION



4" SEWER SERVICE CONNECTION

REVISIONS		
NO	DATE	DESCRIPTION

CITY OF ROCKY MOUNT
DEPT. OF ENGINEERING

APPROVED
-
DATE
04-07-04

STD. NO.
4.13
REVISION
-