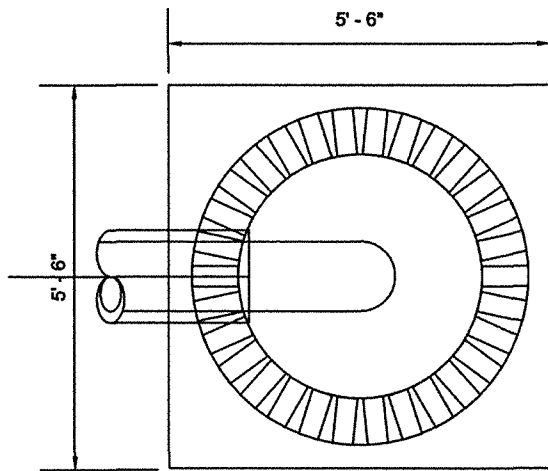
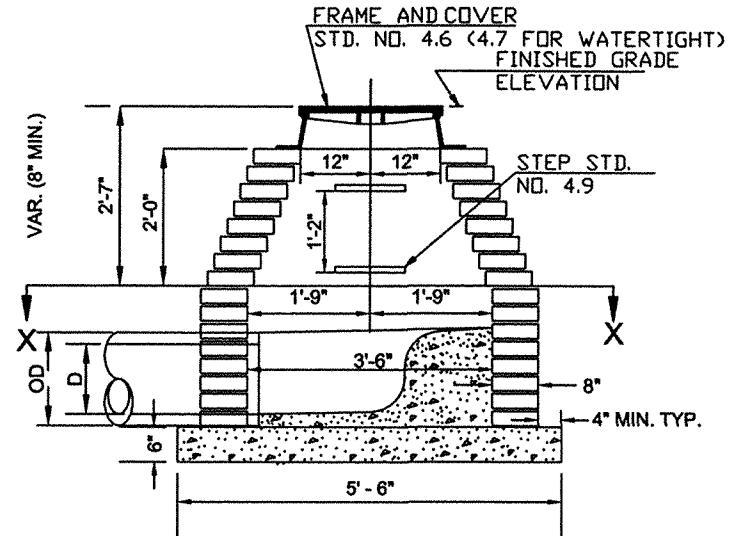


**GENERAL NOTES:**

SHALLOW MANHOLE INSTALLATIONS WITH A REDUCED INSIDE DIAMETER SHALL ONLY BE PERMITTED FOR 12" AND SMALLER MAINS WITH DEPTHS OF FOUR (4') FEET OR LESS.  
 MORTAR JOINTS SHALL BE 1/2" ±1/8".  
 ALL EXPOSED JOINTS SHALL BE CONCAVE TOOLED.  
 MANHOLE SHALL RECEIVE A 1/2" THICK, EXTERNAL PARGE COAT.  
 CLASS 'A' CONCRETE SHALL BE USED FOR THE BASE SLAB.  
 JUMBO BRICK WILL BE PERMITTED. CONCRETE BRICK OR 4" SOLID CONCRETE BLOCKS MAY BE USED IN LIEU OF CLAY BRICK.  
 IF SEWER MAIN IS SET IN BASE SLAB OF BOX, SUBGRADE FOR BASE SLAB SHALL BE DROPPED TO PROVIDE CONSISTANT THICKNESS OF CONCRETE.  
 A 4" HIGH CASTING MAY BE USED EN LIEU OF THE 7 1/2" HIGH CASTING SHOWN. ALL CASTINGS (EITHER HEIGHT) SHALL BE HEAVY DUTY AND RATED FOR HS-20 TRAFFIC LOADINGS.  
 MANHOLES OVER 3'-6" IN DEPTH SHALL BE PROVIDED WTH STEPS AT 1'-2" ON CENTERS PER STD. NO. 4.9



**SECTION X-X**



**SECTION ON C**

**MASONRY MANHOLE FOR SHALLOW INSTALLATIONS (4' DEPTH OR LESS)**

REVISIONS		
NO	DATE	DESCRIPTION

**CITY OF ROCKY MOUNT  
 DEPT. OF ENGINEERING**

<b>APPROVED</b> -
<b>DATE</b> 08-21-03

<b>STD. NO.</b> 4.19
<b>REVISION</b> -