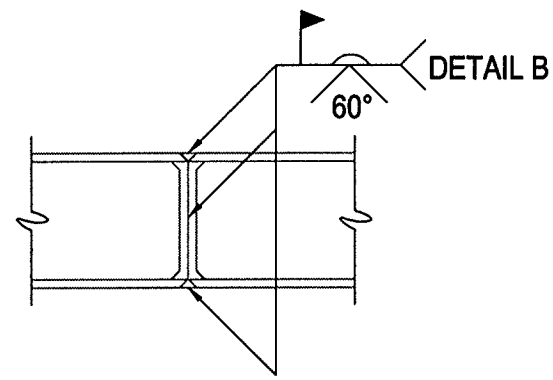
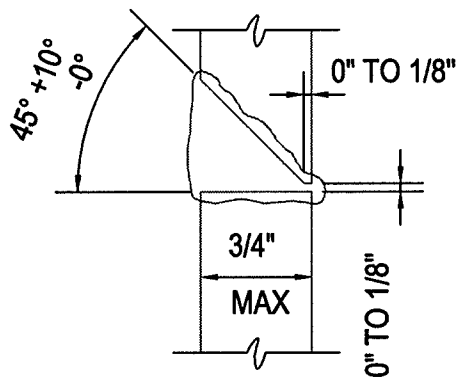


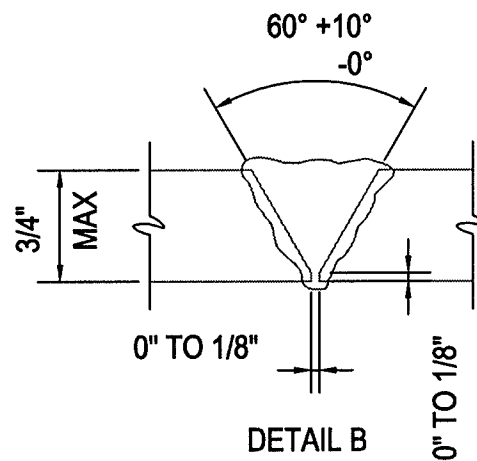
COLUMN VERTICAL



* COLUMN HORIZONTAL OR VERTICAL



DETAIL A



DETAIL B

* POSITION OF COLUMN DURING WELDING

STEEL PILE SPLICE

AERIAL PIPE CROSSING (SHEET 6 OF 8)

REVISIONS		
NO	DATE	DESCRIPTION

**CITY OF ROCKY MOUNT
DEPT. OF ENGINEERING**

APPROVED -
DATE 04-22-04

STD. NO. 4.29
REVISION -