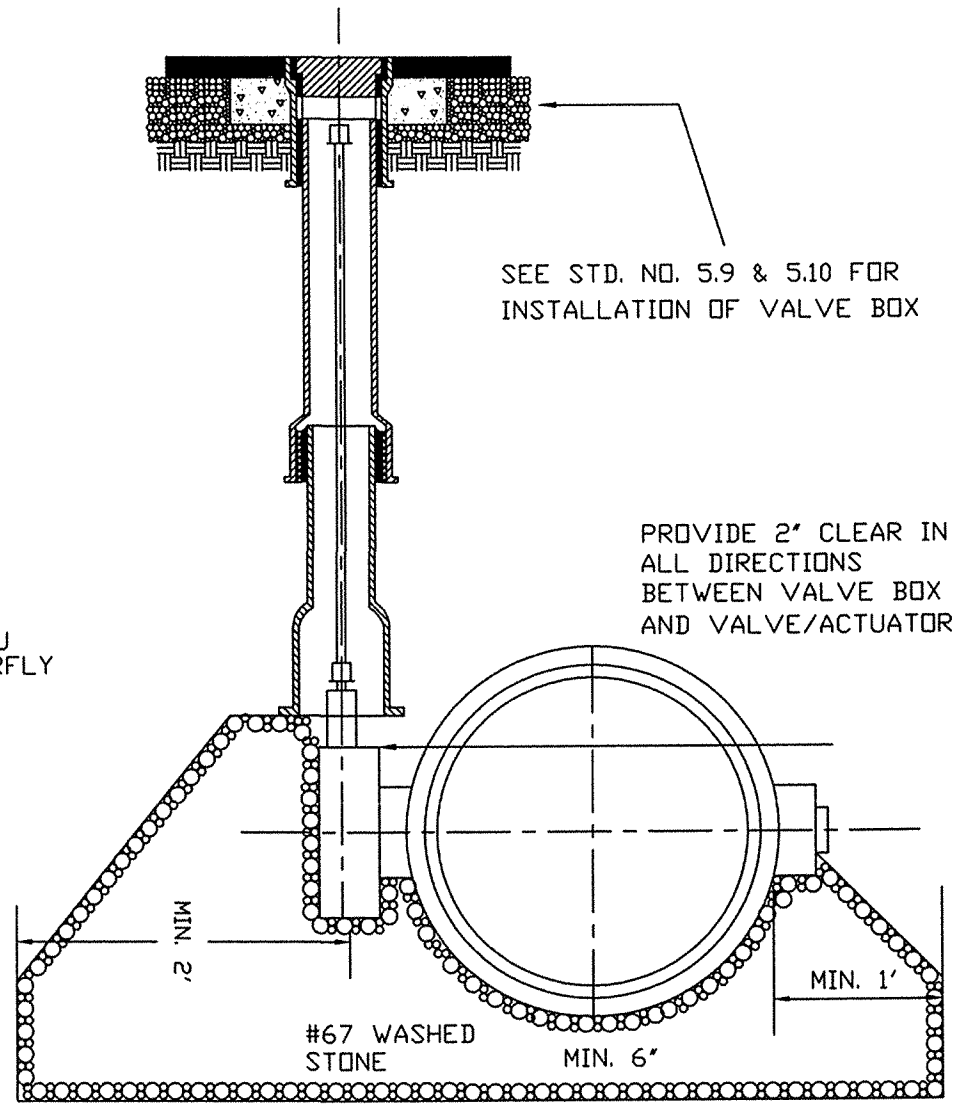


PLAN VIEW

PRO. MJ
BUTTERFLY
VALVE



SECTION VIEW

BUTTERFLY VALVE INSTALLATION

CITY OF ROCKY MOUNT
DEPT. OF ENGINEERING

APPROVED

-

DATE

04-07-00

STD. NO.

5.15

REVISION

-

REVISIONS		
NO	DATE	DESCRIPTION