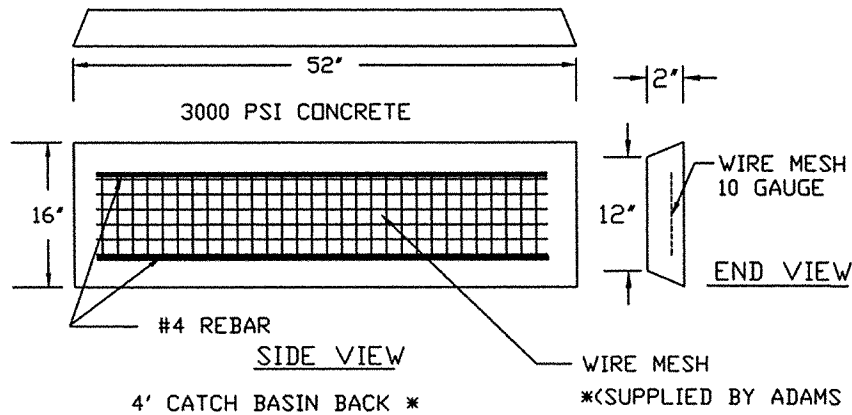


NOTES:

1. PRECAST CONCRETE BASINS MUST BE APPROVED BY THE CITY ENGINEER PRIOR TO ORDERING. SUBMIT THREE COPIES OF SHOP DRAWINGS FOR REVIEW.
2. CONCRETE PIPES SHALL BE CUT FLUSH WITH INSIDE OF BOX.
3. ALL CATCH BASINS OVER 3'-6" IN DEPTH SHALL BE PROVIDED WITH STEPS PER STD. NO. 4.9 SPACED AT 1'-2" ON CENTERS.
4. ANY DEVIATION FROM THIS STANDARD SHALL BE APPROVED BY CITY ENGINEER PRIOR TO CONSTRUCTING.
5. ALL WALLS OF THE CATCH BASINS SHALL BE CONSTRUCTED VERTICALLY. WHERE WIDTH OF BOX "W" MUST BE GREATER THAN 24", A REINFORCED CONCRETE SLAB SHALL BE PROVIDED AS SHOWN. WHERE WIDTH OF BOX IS 24", THE TOP FOUR COURSES SHALL BE CORBELLED APPROX. 3/4" PER COURSE TO MATCH CASTING WIDTH OF 21".
6. WIDTH "W" SHALL BE CALCULATED AS FOLLOWS:
 FOR SINGLE PIPES, "W" = PIPE OUTSIDE DIAMETER + 1' (24" MIN.)
 OR
 FOR MULTIPLE PIPES, "W" = SUM OF PIPE OUTSIDE DIAMETERS + 1' (WALL CLEARANCE) + 1' BETWEEN PIPES
7. LENGTH "L" SHALL BE 4' OR 5' AS SET BY DESIGN ENGINEER AND SHOWN ON THE APPROVED PLAN.
8. FOR INLET DEPTH LESS THAN 12', USE 8" MIN. THICK WALLS. FOR 12' DEPTH OR GREATER, USE 12" THICKNESS FOR PORTION OF WALL DEEPER THAN 12' AND 8" THICKNESS FOR UPPER PORTION OF WALL AS SHOWN.
9. JUMBO BRICK WILL BE PERMITTED IF NOT EXPOSED. PROVIDE 1/2" MORTAR PARGE COAT AS NEEDED.



CURB OPENING INLET DETAILS (SHEET 2 OF 2)

REVISIONS		
NO.	DATE	DESCRIPTION

CITY OF ROCKY MOUNT
DEPT. OF ENGINEERING

APPROVED	STD. NO.
-	6.2
DATE	REVISION
04-19-00	-