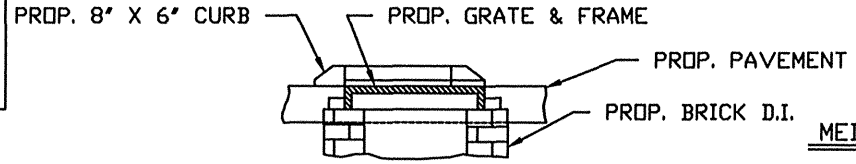


PLAN  
WITH CASTING REMOVED

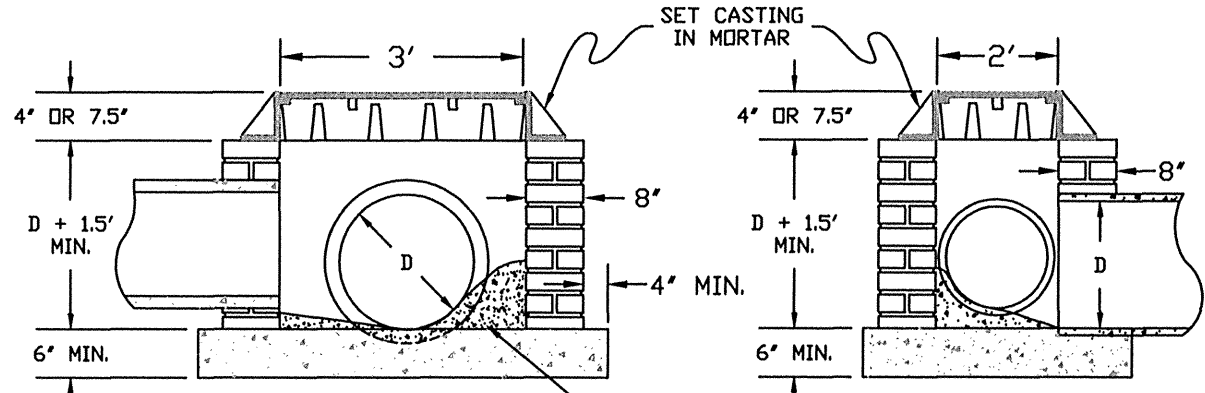
GENERAL NOTES

ALL DROP INLETS OVER 3'-6" IN DEPTH SHALL BE PROVIDED STEPS IN ACCORDANCE WITH STD. NO. 4.9 SPACED AT 1'-2" ON CENTERS.  
 CLASS "A" CONCRETE SHALL BE USED.  
 ALL MORTAR JOINTS ARE TO BE 1/2" ± 1/8".  
 BRICK MASONRY DROP INLET SHALL NOT BE USED IN LOCATIONS SUBJECT TO TRAFFIC. JUMBO BRICK WILL BE PERMITTED. CONCRETE BRICK OR 4" SOLID CONCRETE BLOCKS MAY BE USED IN LIEU OF CLAY BRICKS.  
 IF REINFORCED CONCRETE PIPE IS SET IN BASE SLAB OF BOX, ADD TO BASE TO PROVIDE UNIFORM THICKNESS OF CONCRETE BASE.  
 FOR WALLS 8'-0" IN HEIGHT OR LESS USE 8" THICK WALLS. FOR WALL HEIGHTS OVER 8'-0" IN HEIGHT, USE 12" WALL THICKNESS FROM BOTTOM TO 8'-0" FROM TOP AND 8" THICKNESS FOR REMAINING UPPER PORTION OF WALL.



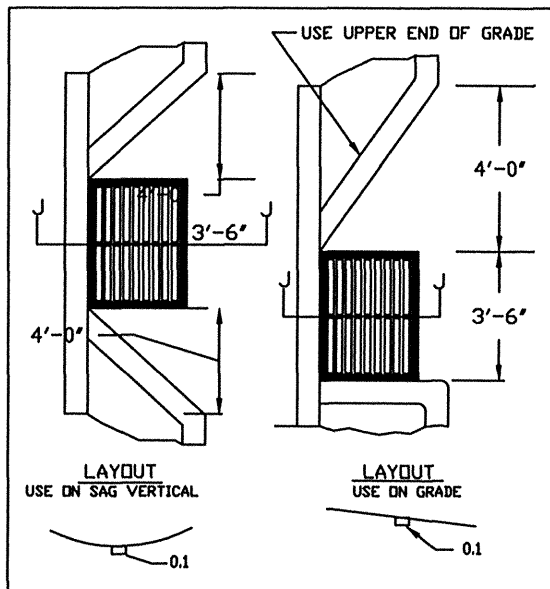
SECTION - JJ

MEDIAN INSTALLATION



SECTION - XX

SECTION - YY



**MASONRY 3' x 2' DROP INLET (12" THRU 24" PIPE)**

REVISIONS		
NO	DATE	DESCRIPTION

**CITY OF ROCKY MOUNT  
 DEPT. OF ENGINEERING**

<b>APPROVED</b> -	<b>STD. NO.</b> 6.11
<b>DATE</b> 05-16-00	<b>REVISION</b> -