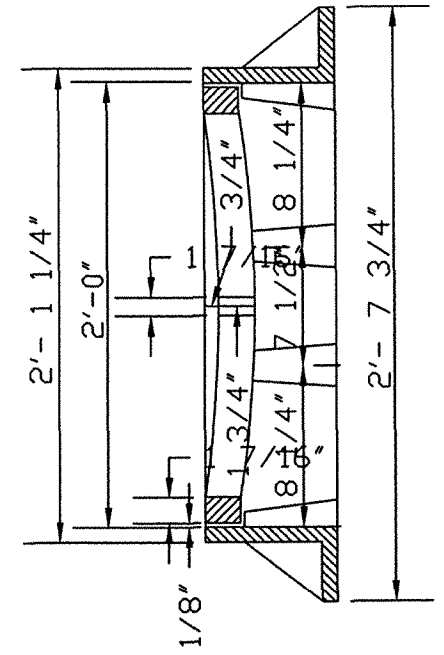
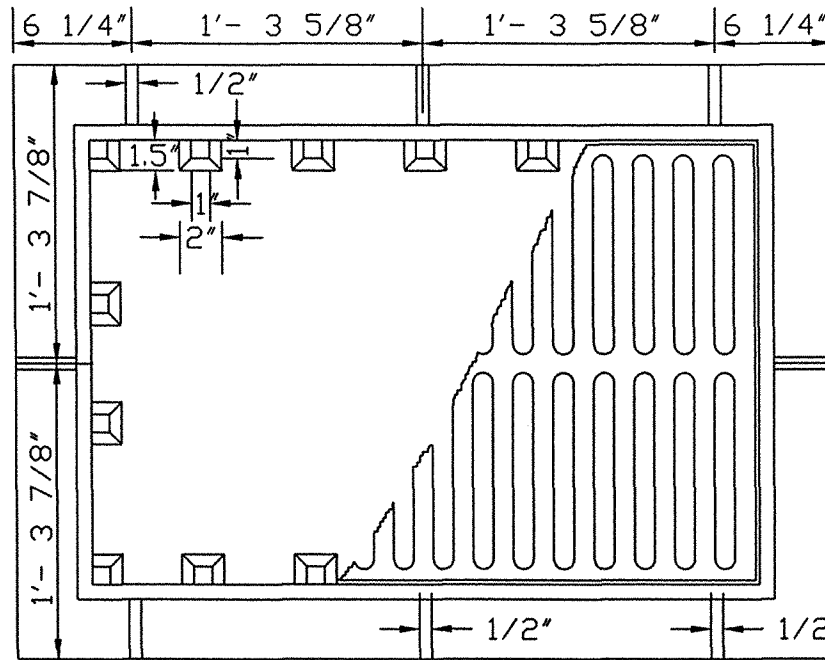


AVG. WEIGHTS-LBS

FRAME	280
GRATE	210
TOTAL	490

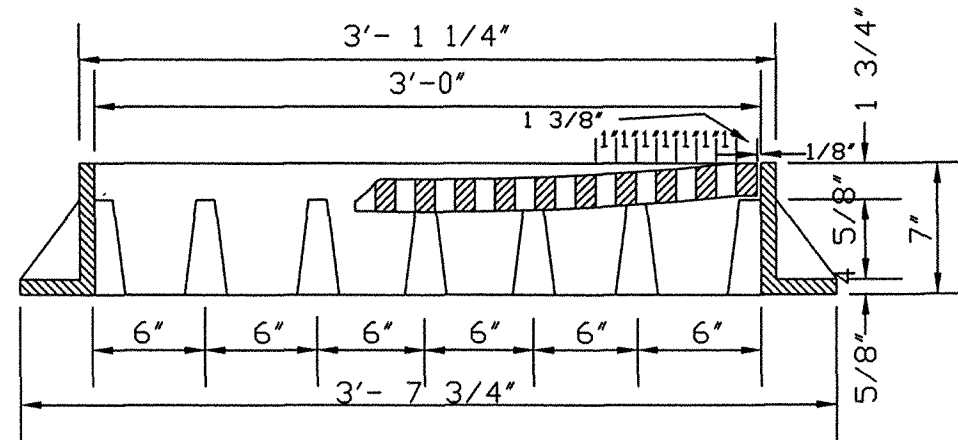


SPECIFICATION

CLASS 30 CAST IRON
MEETING ASTM A-48 WITH
FULL BITUMINOUS COATING

MANUFACTURERS

DEWEY BROS. MODEL NO.
CH-BN-2 OR CAPITOL
FOUNDRY MODEL NO.
CB 2000 OR AN APPROVED
EQUAL



2' x 3' DROP INLET GRATE & FRAME

REVISIONS		
NO	DATE	DESCRIPTION

CITY OF ROCKY MOUNT
DEPT. OF ENGINEERING

APPROVED	-
DATE	04-20-00

STD. NO.	6.12
REVISION	-