

NOTE: EXPOSURE OF THIS CASTING TO TRAFFIC BEARING LOADS IS NOT PERMITTED. USE ONLY IN GRASSED AREAS.

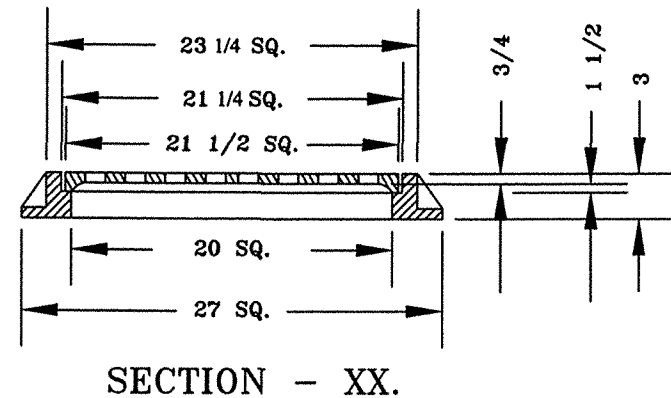
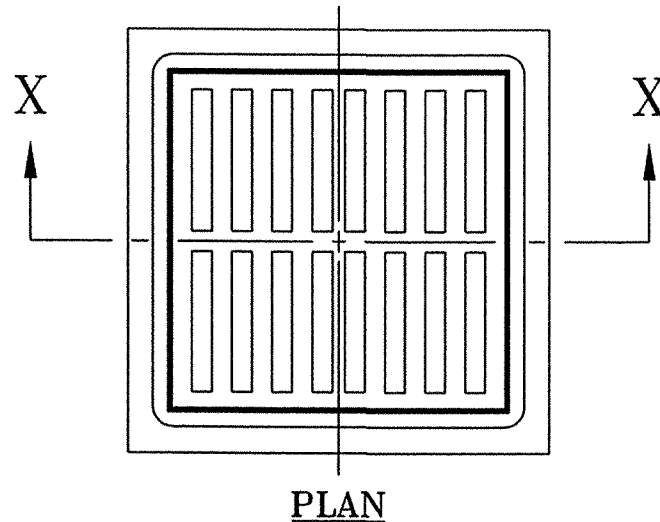
MIN. WEIGHTS-LBS	
FRAME	105
GRATE	70
TOTAL	175

SPECIFICATION

CLASS 30 CAST IRON MEETING
ASTM A-48 WITH FULL
BITUMINOUS COATING

MANUFACTURERS

CAPITOL FOUNDARY MODEL
NO. FG-1007 OR AN
APPROVED EQUAL



2' X 2' LIGHT DUTY DROP INLET GRATE & FRAME

REVISIONS		
NO	DATE	DESCRIPTION

CITY OF ROCKY MOUNT
DEPT. OF ENGINEERING

APPROVED -
DATE 04-20-00

STD. NO. 6.14
REVISION -