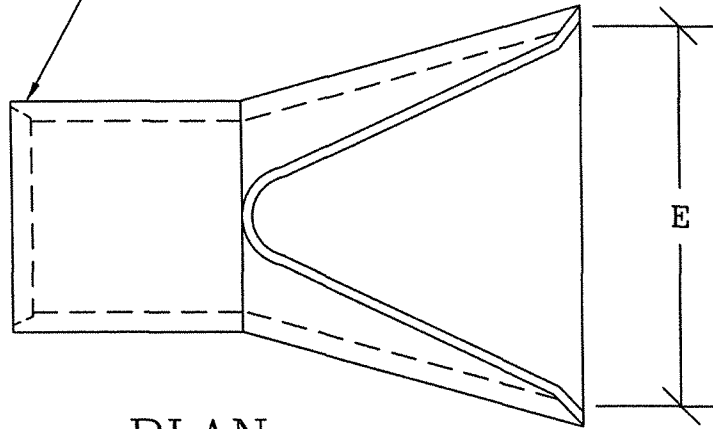


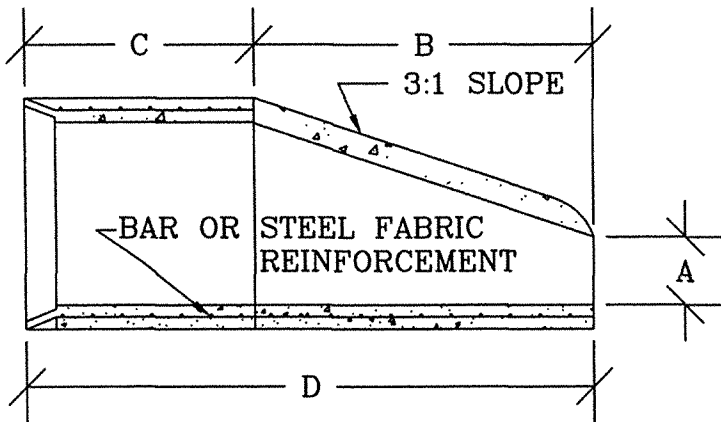
GROOVE END ON OUTLET END - SECTIONS
 TONGUE END ON INLET END - SECTIONS

NOTE: DESIGN OF END - SECTION
 SHALL CONFORM TO STANDARD
 REINFORCED SECTIONAL
 CONCRETE CULVERT PIPE.

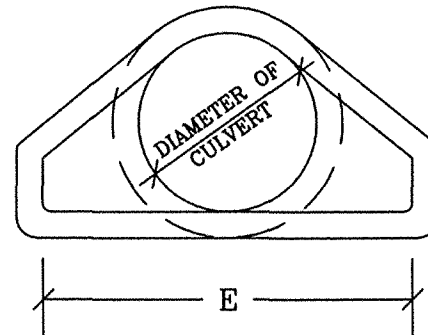


PLAN

END SECTION DIMENSIONS					
DIAMETER	A	B	C	D	E
15"	6"	2'-3"	3'-10"	6'-1"	2'-6"
18"	9"	2'-3"	3'-10"	6'-1"	3'-0"
24"	9 1/2"	3'-7 1/2"	2'-6"	6'-1 1/2"	4'-0"
30"	1'-0"	4'-6"	1'-7 3/4"	6'-1 3/4"	5'-0"
36"	1'-3"	5'-3"	2'-10 3/4"	8'-1 3/4"	6'-0"
42"	1'-9"	5'-3"	2'-11'	8'-2"	6'-6"
48"	2'-0"	6'-0"	2'-2"	8'-2"	7'-0"



SECTION



END VIEW

STANDARD FLARED END SECTION

CITY OF ROCKY MOUNT
 DEPT. OF ENGINEERING

APPROVED

-

DATE

04-20-00

STD. NO.

6.17

REVISION

-

REVISIONS		
NO	DATE	DESCRIPTION