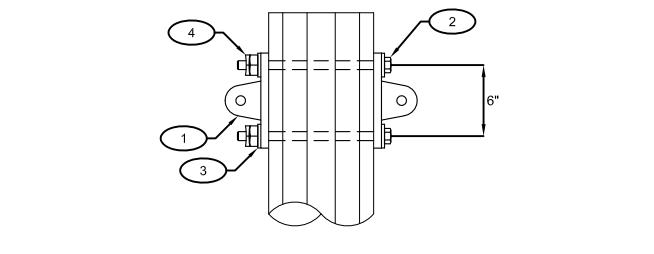
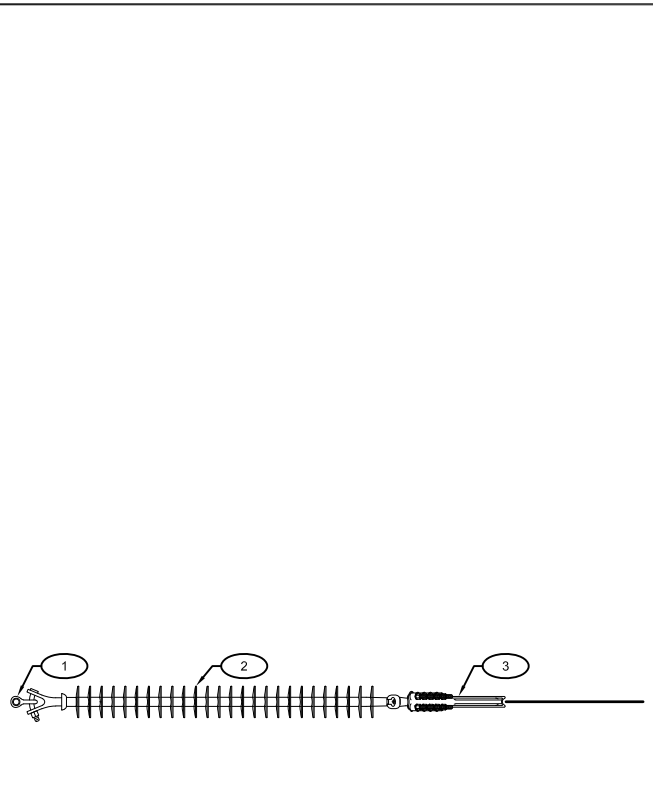


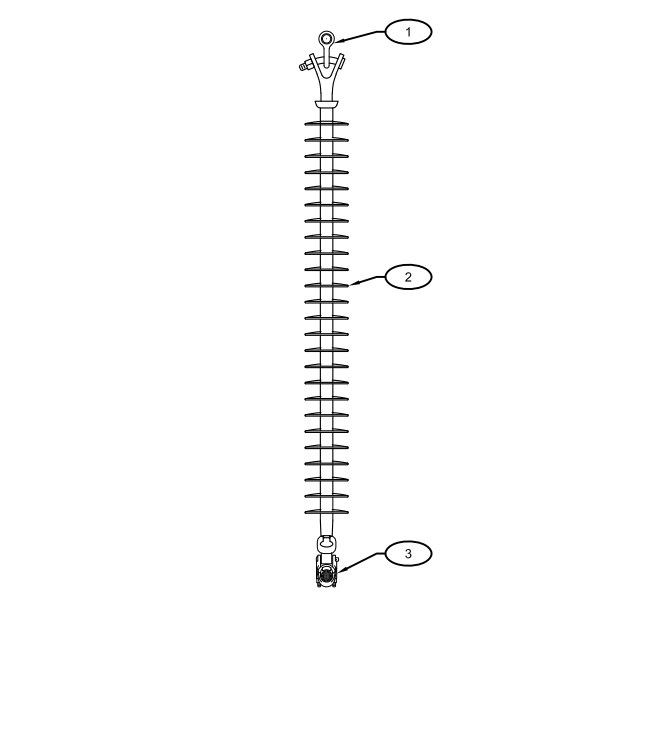
| TM-4D OHGW ASSEMBLY, DEADEND |                                 |      |          |
|------------------------------|---------------------------------|------|----------|
| KEY/QTY                      | DESCRIPTION                     | MFG. | MFG. NO. |
| 1                            | 2 STRAIN CLAMP W/ SOCKET EYE    |      |          |
| 2                            | 2 Y-CLEVIS BALL                 |      |          |
| 3                            | 1 SQUEEZON 3/8"H.S. TO 3/8"H.S. |      |          |
| 4                            |                                 |      |          |
| 5                            |                                 |      |          |
| 6                            |                                 |      |          |
| 7                            |                                 |      |          |
| 8                            |                                 |      |          |
| 9                            |                                 |      |          |
| 10                           |                                 |      |          |



| TG-27D GUY ATTACHMENT ASSY MED. DUTY GUYING TEE |  |      |          |
|---|--|------|----------|
| KEY/QTY   | DESCRIPTION                                  | MFG. | MFG. NO. |
| 1   | 2 POLE EYE PLATE, MEDIUM DUTY                |      |          |
| 2   | 2 BOLT, MACHINE W/ NUT 7/8" x REQ'D LENGTH   |      |          |
| 3   | 4 WASHER, GALV. FLAT, 2" O.D. x 15/16" ROUND |      |          |
| 4   | 2 7/8" LOCKNUT, MF TYPE                      |      |          |
| 5   |  |      |          |
| 6   |  |      |          |
| 7   |  |      |          |
| 8   |  |      |          |
| 9   |  |      |          |
| 10  |  |      |          |



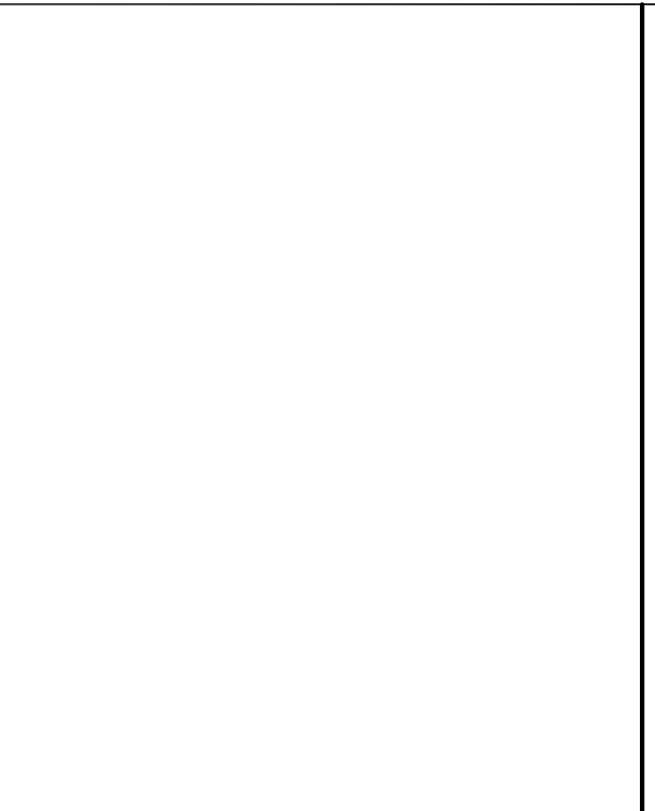
| TM-1PD INSULATOR ASSEMBLY, 69 kV SUSPENSION w/ STRAIN CLAMP |   |      |          |
|---|---|------|----------|
| KEY/QTY   | DESCRIPTION                                     | MFG. | MFG. NO. |
| 1   | 1 ANCHOR SHACKLE (30k)                          |      |          |
| 2   | 1 POLYMER SUSPENSION INSULATOR (Y-CLEVIS, BALL) |      |          |
| 3   | 1 STRAIN CLAMP W/ SOCKET EYE                    |      |          |
| 4   |   |      |          |
| 5   |   |      |          |
| 6   |   |      |          |
| 7   |   |      |          |
| 8   |   |      |          |
| 9   |   |      |          |
| 10  |   |      |          |



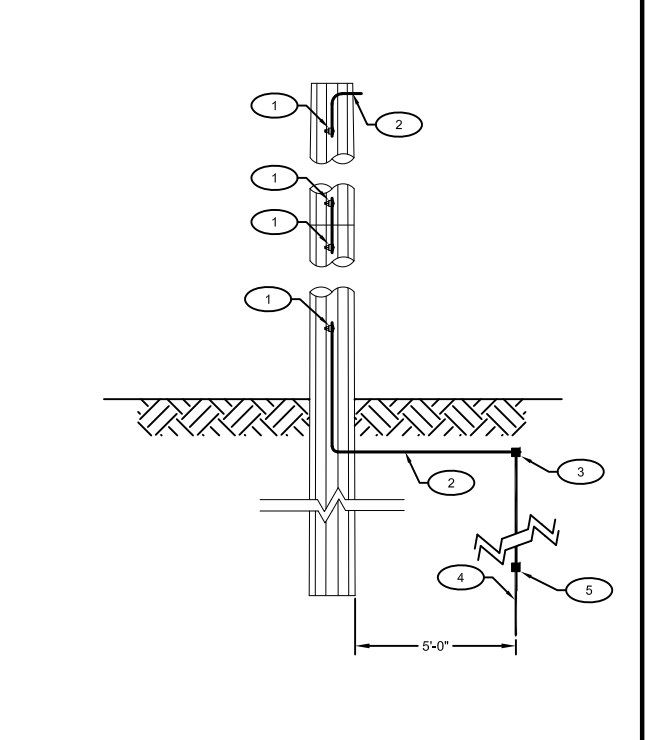
| TM-1PC INSULATOR ASSEMBLY, 69 kV SUSPENSION w/ SUSP. CLAMP |   |      |          |
|--|---|------|----------|
| KEY/QTY  | DESCRIPTION                                     | MFG. | MFG. NO. |
| 1  | 1 ANCHOR SHACKLE (30k)                          |      |          |
| 2  | 1 POLYMER SUSPENSION INSULATOR (Y-CLEVIS, BALL) |      |          |
| 3  | 1 SUSPENSION CLAMP                              |      |          |
| 4  |   |      |          |
| 5  |   |      |          |
| 6  |   |      |          |
| 7  |   |      |          |
| 8  |   |      |          |
| 9  |   |      |          |
| 10   |   |      |          |



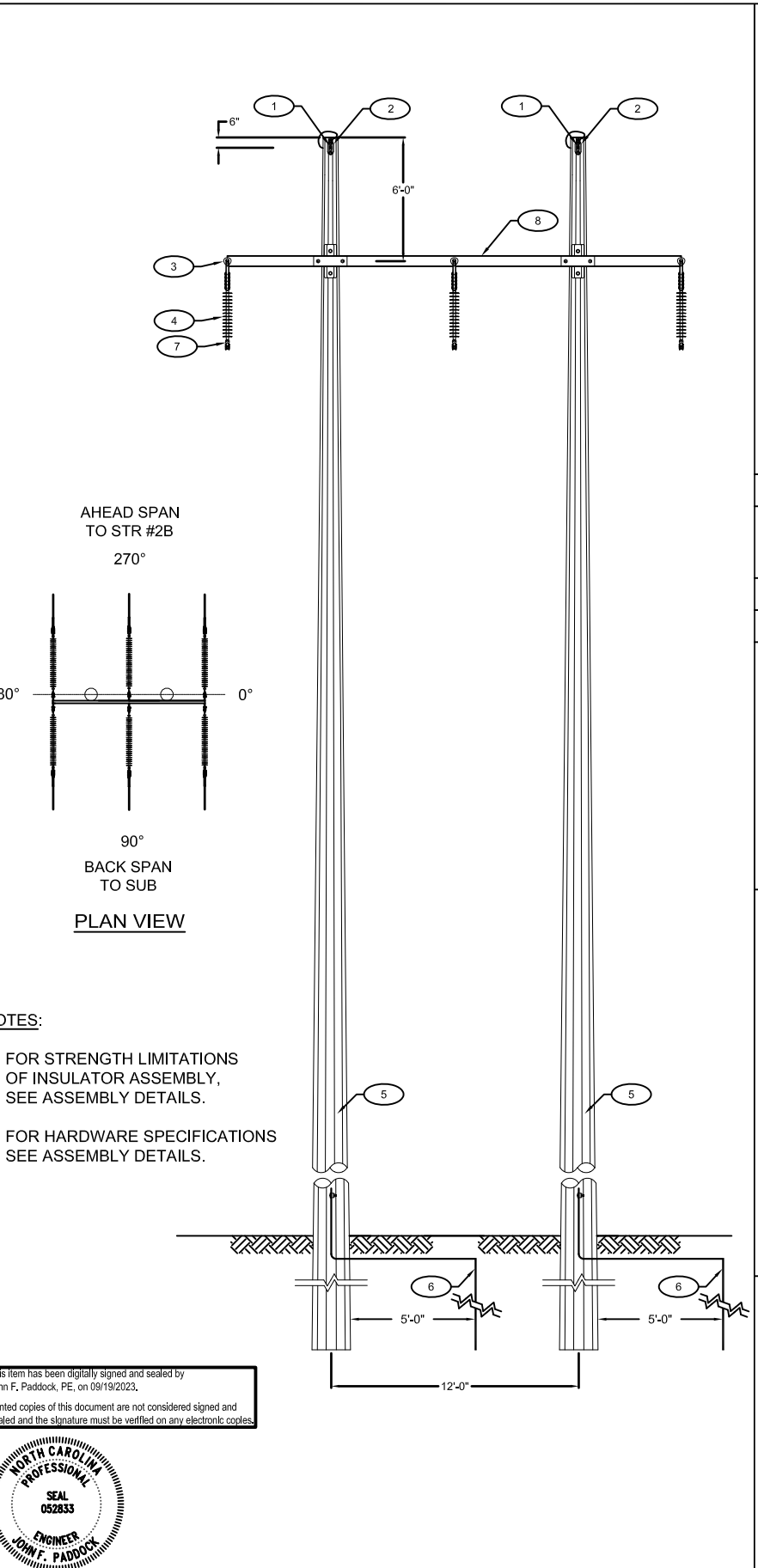
| TM-9S GROUNDING ASSEMBLY STEEL POLE |  |      |          |
|-------------------------------------|--|------|----------|
| KEY/QTY                             | DESCRIPTION                            | MFG. | MFG. NO. |
| 1                                   | 4 CONNECTOR FOR #4 AWG                 |      |          |
| 2                                   | 1 WIRE, COPPERWELD, #4 AWG x 30'-0"    |      |          |
| 3                                   | 1 CLAMP, GROUND ROD                    |      |          |
| 4                                   | 2 ROD, GROUND, COPPERCLAD 3/4" x 8'-0" |      |          |
| 5                                   | 1 COUPLING FOR 3/4" CU ROD             |      |          |
| 6                                   |  |      |          |
| 7                                   |  |      |          |
| 8                                   |  |      |          |
| 9                                   |  |      |          |
| 10                                  |  |      |          |



| TH-7G(S) STRUCTURE #1B |  |      |          |
|------------------------|--|------|----------|
| KEY/QTY                | DESCRIPTION                            | MFG. | MFG. NO. |
| 1                      | 4 CONNECTOR FOR #4 AWG                 |      |          |
| 2                      | 1 WIRE, COPPERWELD, #4 AWG x 30'-0"    |      |          |
| 3                      | 1 CLAMP, GROUND ROD                    |      |          |
| 4                      | 2 ROD, GROUND, COPPERCLAD 3/4" x 8'-0" |      |          |
| 5                      | 1 COUPLING FOR 3/4" CU ROD             |      |          |
| 6                      |  |      |          |
| 7                      |  |      |          |
| 8                      |  |      |          |
| 9                      |  |      |          |
| 10                     |  |      |          |



| TH-7G(S) STRUCTURE #1B |   |      |          |
|------------------------|---|------|----------|
| KEY/QTY                | DESCRIPTION   | MFG. | MFG. NO. |
| 1                      | 2 OHGW ASSEMBLY, DEADEND                                      |      |          |
| 2                      | 2 BACK TO BACK GUY ATTACHMENT ASSEMBLY MEDIUM DUTY GUYING TEE |      |          |
| 3                      | 6 INSULATOR ASSEMBLY, 69kV SUSPENSION w/ STRAIN CLAMP         |      |          |
| 4                      | 3 INSULATOR ASSEMBLY, 69kV SUSPENSION w/ SUSPENSION CLAMP     |      |          |
| 5                      | 2 GALVANIZED STEEL POLE                                       |      |          |
| 6                      | 2 GROUNDING ASSEMBLY, STEEL POLE                              |      |          |
| 7                      | 3 LOOP SLEEVE - 1272 (36/1) ACSR                              |      |          |
| 8                      | 1 22' STEEL CROSSARM  |      |          |
| 9                      |   |      |          |
| 10                     |   |      |          |



This item has been digitally signed and sealed by John F. Paddock, PE, on 09/19/2023.  
Printed copies of this document are not considered signed and sealed and the signature must be verified on any electronic copies.



**DRG**  
TECHNICAL SOLUTIONS  
7556 FRANKLIN DR.  
COLUMBIA, SC 29212  
(803) 766-6948

| NO | BY   | DATE       | APP | REVISION                |
|----|------|------------|-----|-------------------------|
| 0  | ANAH | 09/19/2023 | JFP | ISSUED FOR CONSTRUCTION |

SUB 10 - POD 1 69 kV  
TRANSMISSION LINE  
TH-7G(S) STRUCTURE

| REV. NO. | DESIGN BY | CHECKED BY | PROJ. NO. | STRUCTURE MATERIAL |
|----------|-----------|------------|-----------|--------------------|
| 0        | DRG-JFP   | DRG-JFP    |           | STEEL              |

DRAWN: DRG-ANAH DATE: 09/19/2023 SCALE: NONE COUNTY: MSH  
PLT DATE: 09/19/2023 2:53 PM

**CITY OF ROCKY MOUNT**  
331 S. FRANKLIN ST., PO BOX 1180  
ROCKY MOUNT, NC 27802  
(252) 972-1111

**32404**