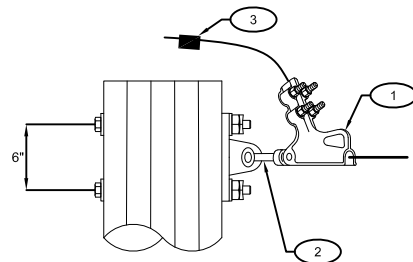
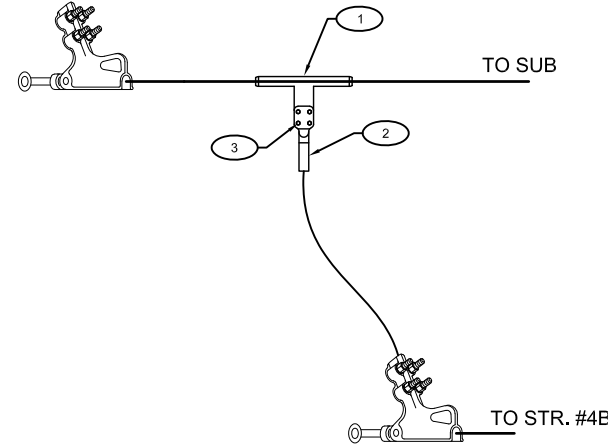


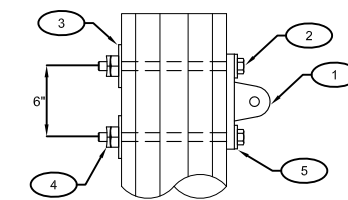
KEY/QTY	DESCRIPTION	MFG.	MFG. NO.
1	POLE EYE PLATE, MEDIUM DUTY		
2	BOLT, MACHINE W/ NUT 7/8" x REQ'D LENGTH		
3	WASHER, GALV. FLAT, 2" O.D. x 15/16" ROUND		
4	7/8" LOCKNUT, MF TYPE		
5			
6			
7			
8			
9			
10			



KEY/QTY	DESCRIPTION	MFG.	MFG. NO.
1	STRAIN CLAMP W/ SOCKET EYE		
2	Y-CLEVIS BALL		
3	SQUEEZON 3/8" H.S. TO 3/8" H.S.		
4			
5			
6			
7			
8			
9			
10			



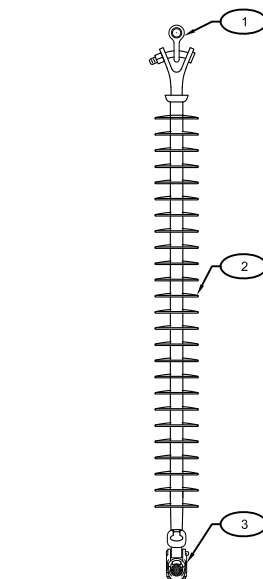
KEY/QTY	DESCRIPTION	MFG.	MFG. NO.
1	ANCHOR SHACKLE (30k)		
2	POLYMER SUSPENSION INSULATOR (Y-CLEVIS, BALL)		
3	STRAIN CLAMP W/ SOCKET EYE		
4			
5			
6			
7			
8			
9			
10			



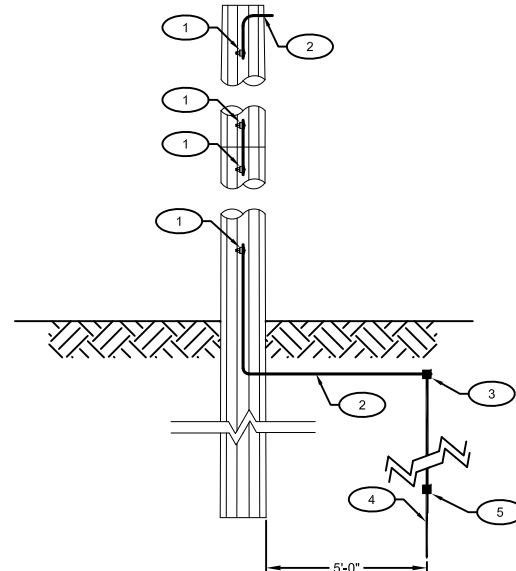
KEY/QTY	DESCRIPTION	MFG.	MFG. NO.
1	POLE EYE PLATE, MEDIUM DUTY		
2	BOLT, MACHINE W/ NUT 7/8" x REQ'D LENGTH		
3	WASHER GALV. FLAT, 3" x 3" x 15/16" SQ		
4	7/8" LOCKNUT, MF TYPE		
5	WASHER, GALV. FLAT, 2" O.D. x 15/16" ROUND		
6			
7			
8			
9			
10			



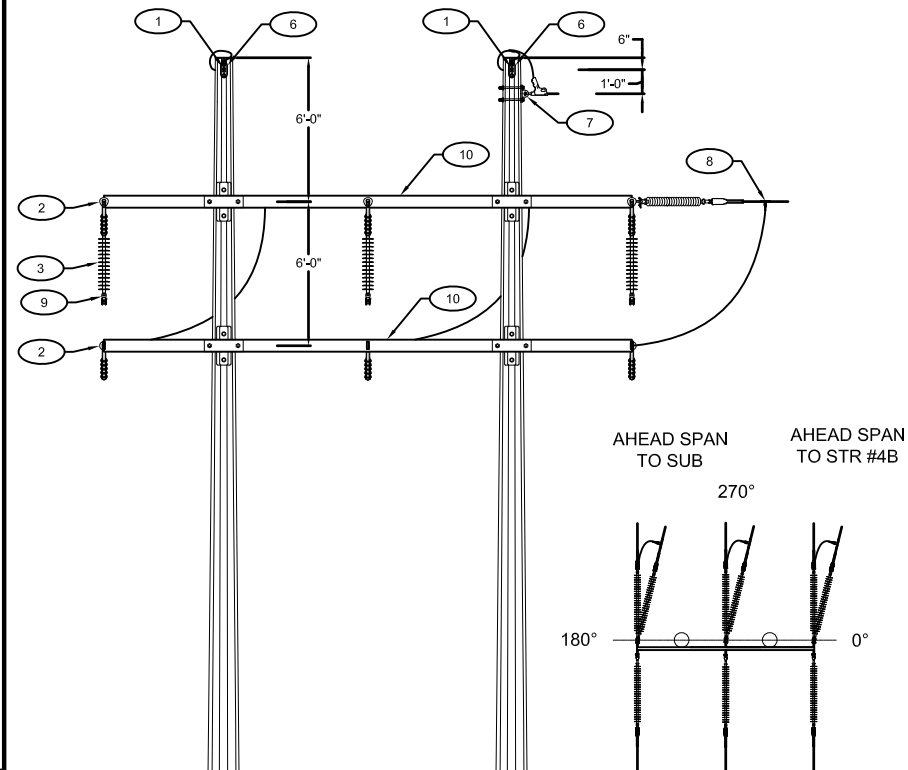
KEY/QTY	DESCRIPTION	MFG.	MFG. NO.
1	ANCHOR SHACKLE (30k)		
2	POLYMER SUSPENSION INSULATOR (Y-CLEVIS, BALL)		
3	STRAIN CLAMP W/ SOCKET EYE		
4			
5			
6			
7			
8			
9			
10			



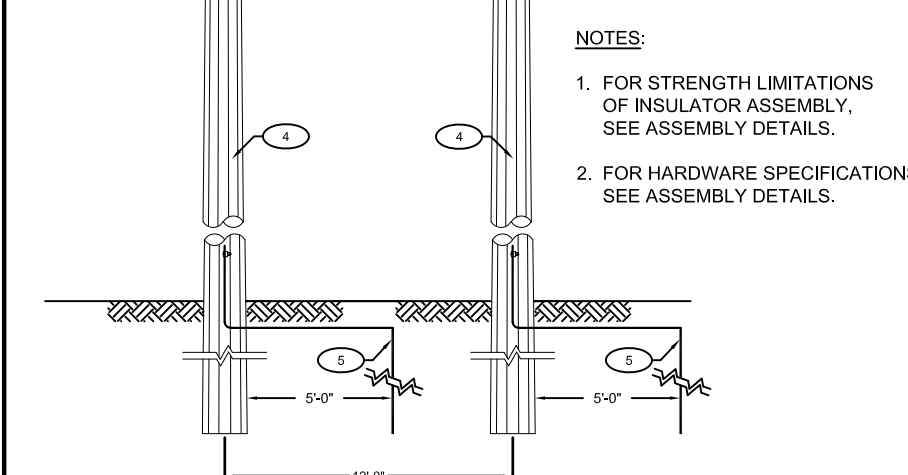
KEY/QTY	DESCRIPTION	MFG.	MFG. NO.
1	ANCHOR SHACKLE (30k)		
2	POLYMER SUSPENSION INSULATOR (Y-CLEVIS, BALL)		
3	SUSPENSION CLAMP		
4			
5			
6			
7			
8			
9			
10			



KEY/QTY	DESCRIPTION	MFG.	MFG. NO.
1	CONNECTOR FOR #4 AWG		
2	WIRE, COPPERWELD, #4 AWG x 30'-0"		
3	CLAMP, GROUND ROD		
4	ROD, GROUND, COPPERCLAD 3/4" x 8'-0"		
5	COUPLING FOR 3/4" CU ROD		
6			
7			
8			
9			
10			



KEY/QTY	DESCRIPTION	MFG.	MFG. NO.
1	COMPRESSION TEE TAP, OPEN RUN - 1272 (36/1) ACSR		
2	COMPRESSION TERMINAL W/ 4 HOLE PAD		
3	STAINLESS STEEL BOLT ASSEMBLY - 1/2" X 2 1/2"		
4			
5			
6			
7			
8			
9			
10			

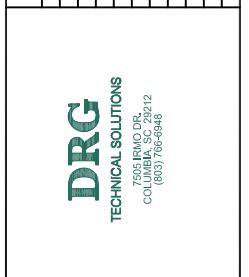


This item has been digitally signed and sealed by John F. Paddock, PE, on 09/19/2023. Printed copies of this document are not considered signed and sealed and the signature must be verified on any electronic copies.



KEY/QTY	DESCRIPTION	MFG.	MFG. NO.
1	OHGW ASSEMBLY, DEADEND		TM-4D
2	INSULATOR ASSEMBLY, 69kV SUSPENSION w/ STRAIN CLAMP		TM-1PD
3	INSULATOR ASSEMBLY, 69kV SUSPENSION w/ SUSPENSION CLAMP		TM-1PC
4	GALVANIZED STEEL POLE		
5	GROUNDING ASSEMBLY, STEEL POLE		TM-9S
6	BACK TO BACK GUY ATTACHMENT ASSEMBLY MEDIUM DUTY GUYING TEE		TG-27D
7	SINGLE GUY ATTACHMENT ASSEMBLY MEDIUM DUTY GUYING TEE		TG-27C
8	TEE-TAP ASSEMBLY		TEE-TAP
9	LOOP SLEEVE - 1272 (36/1) ACSR		
10	22' STEEL CROSSARM		

NO.	BY	DATE	APP.	REVISION
0	ANAH	09/19/2023	JFP	ISSUED FOR CONSTRUCTION



SUB 10 - POD 1 69 kV TRANSMISSION LINE TH-7G(S) STRUCTURE		REV. NO. 0	PROJ. NO. ---
DRAWN: DRG-ANAH	DESIGN BY: DRG-JFP	CHECKED: DRG-JFP	SCALE: NONE
DATE: 09/19/2023	COUNTY: MSH	PLT. DATE: 09/20/2023 2:54 PM	STRUCTURE MATERIAL: STEEL

CITY OF ROCKY MOUNT  
 331 S. FRANKLIN ST., PO BOX 1180  
 ROCKY MOUNT, NC 27802  
 (252) 972-1111

32406