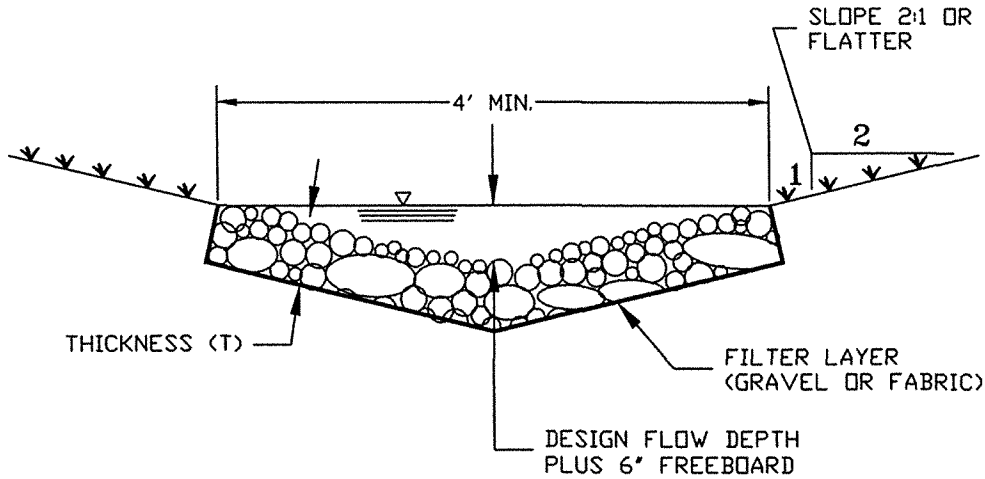
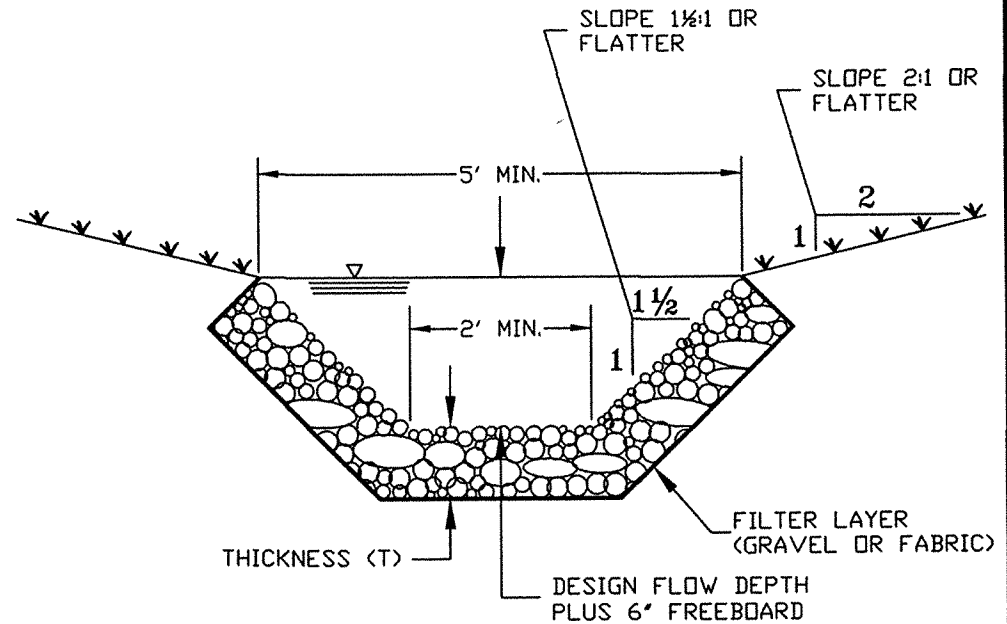


TRIANGULAR SWALE



TRAPEZOIDAL CHANNEL



STONE SIZE	THICKNESS (T)
CLASS A	9"
CLASS B	12"
CLASS I	18"
CLASS II	24"

GENERAL NOTES:

STONE SHALL BE CLASS 'A', 'B', 'I', OR 'II' STONE AS DESCRIBED IN SECTION 1042 OF THE NCDOT STANDARD SPECIFICATIONS FOR ROADS & STRUCTURES (SSRS.)
 FILTER FABRIC FOR UNDERLAYMENT SHALL MEET REQUIREMENTS OF SECTION 1056 OF THE NCDOT SSRS.
 GRADED GRAVEL FOR UNDERLAYMENT SHALL BE CLEAN STONE MEETING GRADATION REQUIREMENTS FOR #57 OR #67 STONE (4' MIN. THICKNESS.)
 WIDTH AND SHAPE OF DITCHES SHALL BE AS SHOWN ON THE APPROVED PLAN OR AS DIRECTED BY THE ENGINEER.
 ALL DIMENSIONS ARE MINIMUM UNLESS OTHERWISE NOTED ON PLANS.

STANDARD RIP RAP CHANNEL LINING

REVISIONS		
NO.	DATE	DESCRIPTION

CITY OF ROCKY MOUNT
 DEPT. OF ENGINEERING

APPROVED	STD. NO.
-	3.10
DATE	REVISION
04-10-00	-