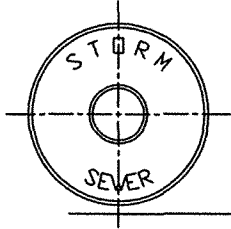
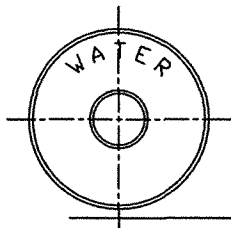


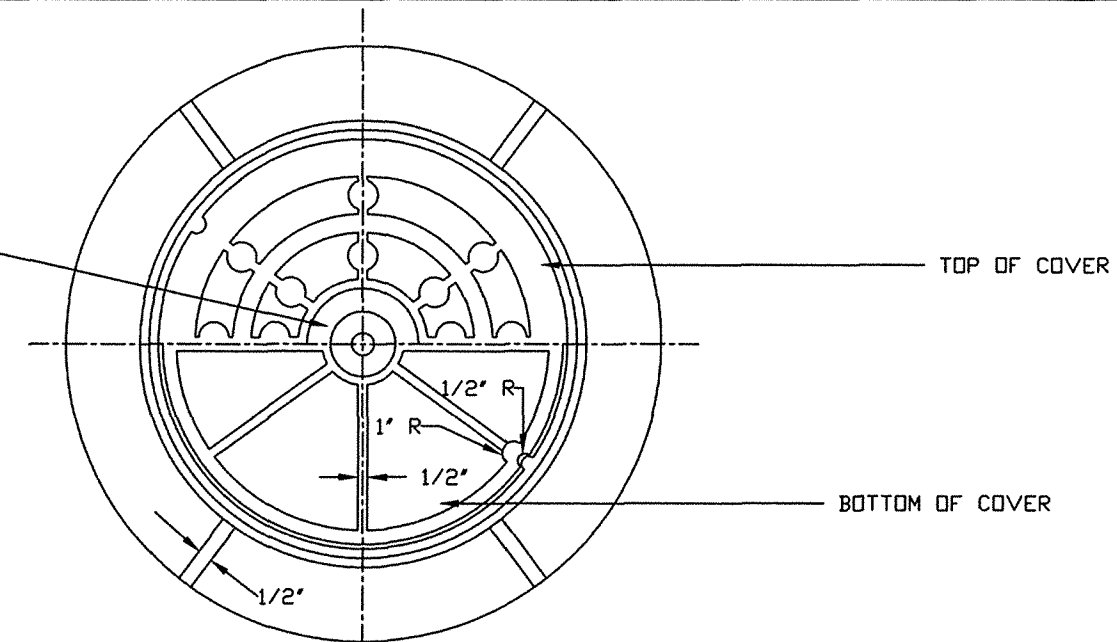
SANITARY
DETAIL



STORM
DETAIL

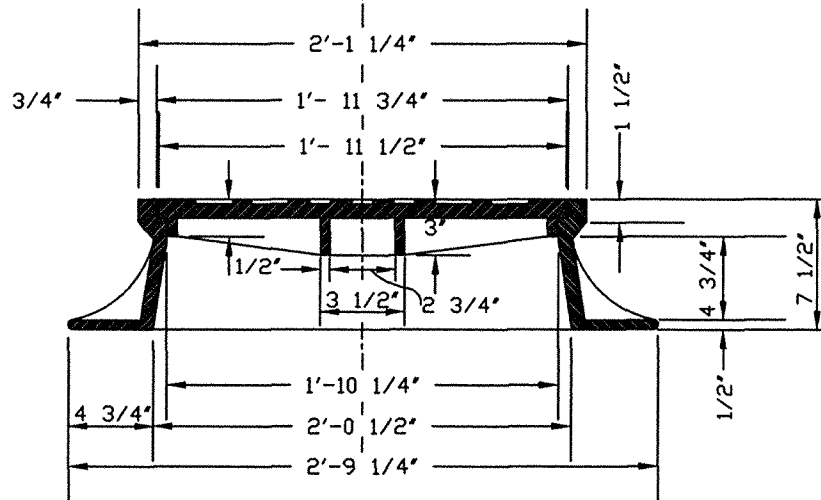


WATER
DETAIL



TOP OF COVER

BOTTOM OF COVER



MIN. WEIGHTS-LBS	
FRAME	180
COVER	120
TOTAL	300

SPECIFICATION
 CLASS 30 CAST IRON
 MEETING ASTM A-48 WITH
 FULL BITUMINOUS COATING

STANDARD MANHOLE RING & COVER

CITY OF ROCKY MOUNT
 DEPT. OF ENGINEERING

APPROVED

-

STD. NO.

4.6

DATE

02-19-03

REVISION

-

REVISIONS		
NO	DATE	DESCRIPTION