

**CONSTRUCTION NOTES:**

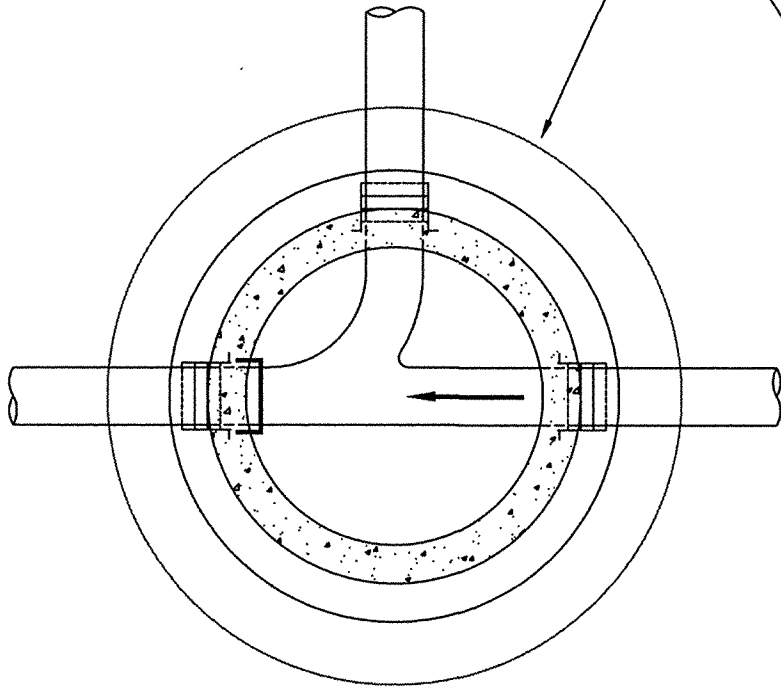
FOR INSTALLATION, REFER TO MATERIAL AND CONSTRUCTION NOTES ON STD. DWG. 4.2, PRECAST CONCRETE MANHOLE NOTES

POURED IN PLACE CLASS B CONCRETE BALLAST WHERE REQUIRED. REFER TO PLAN/PROFILE FOR HEIGHT 'H' AND DIAMETER 'D' REQUIREMENTS

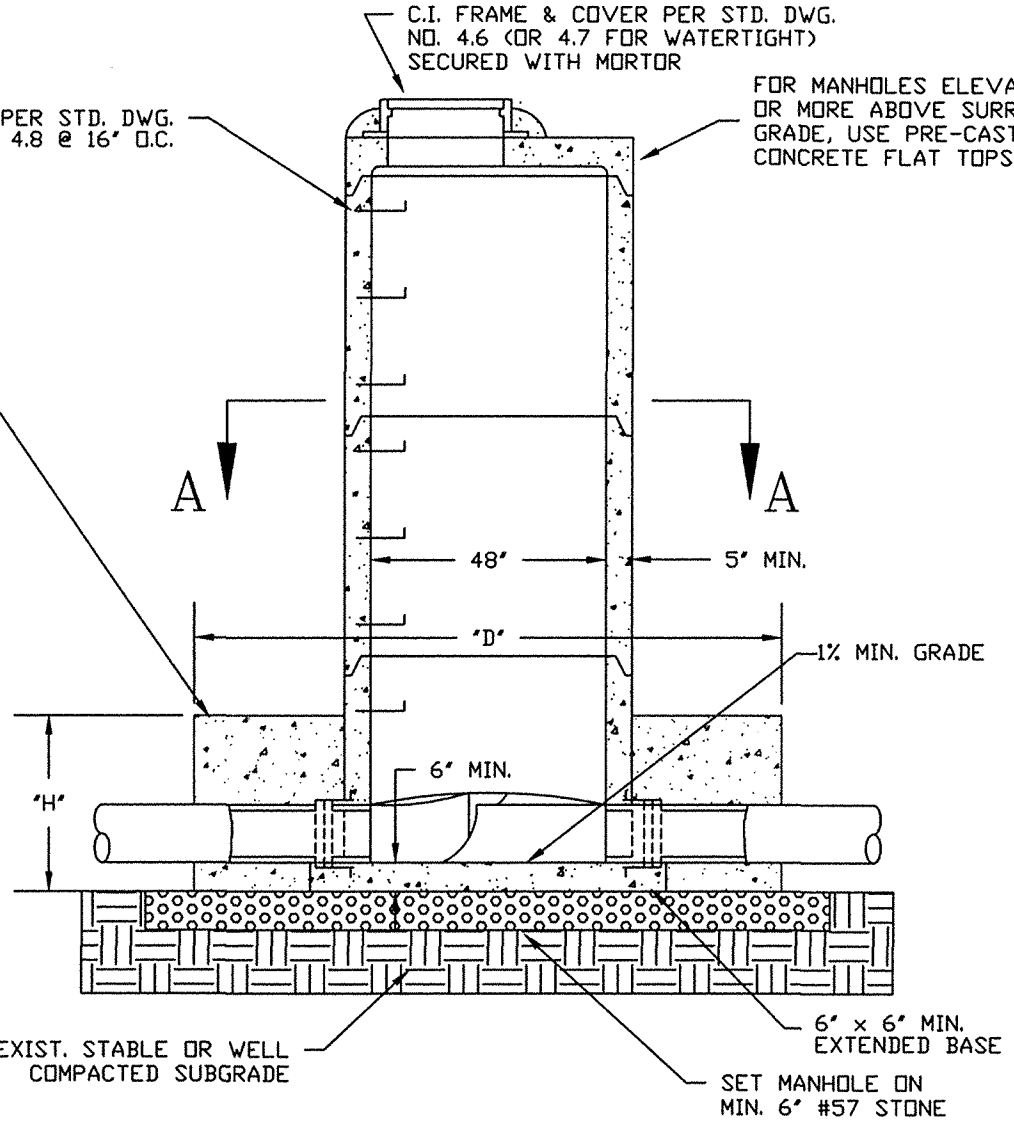
STEPS PER STD. DWG. NO. 4.8 @ 16" O.C.

C.I. FRAME & COVER PER STD. DWG. NO. 4.6 (OR 4.7 FOR WATERTIGHT) SECURED WITH MORTAR

FOR MANHOLES ELEVATED 3' OR MORE ABOVE SURROUNDING GRADE, USE PRE-CAST REINF. CONCRETE FLAT TOPS



SECTION A-A



ELEVATED MANHOLE IN FLOOD PRONE AREA

REVISIONS		
NO	DATE	DESCRIPTION

CITY OF ROCKY MOUNT  
DEPT. OF ENGINEERING

APPROVED	STD. NO. 4.5
DATE 04-10-99	REVISION