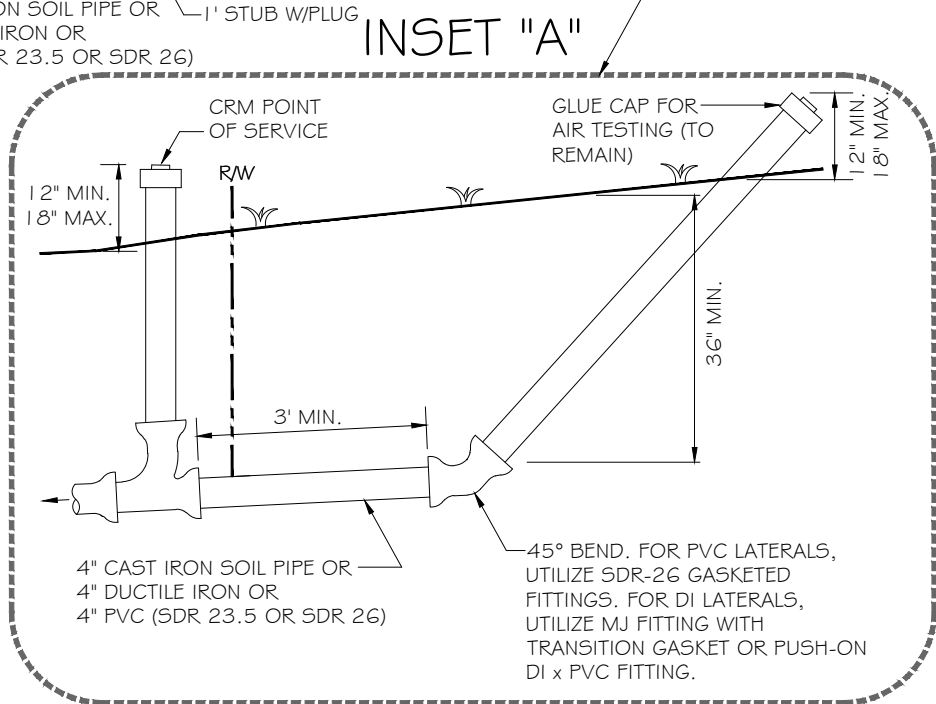


NOTES:

1. MIN. GRADE FOR 4" SEWER SERVICE SHALL BE 1.0% ($\frac{1}{8}$ " PER FT.) RECOMMENDED MIN. GRADE SHALL BE 2.0%.
2. DEPTH OF SERVICE AT PROPERTY LINE MUST BE SUFFICIENT TO PROVIDE AT LEAST MIN. GRADE TO BUSINESS OR DWELLING AND 12" MIN. COVER OVER SERVICE.
3. FOR NEW SUBDIVISIONS, CLEANOUT STACKS SHALL BE PLACED 3' TO THE LEFT OF THE WATER METER WHEN LOOKING FROM THE ROADWAY OR SEWER MAIN.
4. ALL SERVICES SHALL HAVE A CLEANOUT PLACED AT THE EASEMENT OR RIGHT OF WAY LINE. ALL CLEANOUTS SHALL BE CAST IRON WITH BRASS PLUGS. CAST IRON DOUBLE-HUB CONNECTORS (30" MIN.) MAY BE USED TO TRANSITION FROM PVC SERVICE PIPE.
5. ALL PVC FITTINGS SHALL BE OF HEAVY WALL CONSTRUCTION (115 PSI MIN. PIPE STIFFNESS.)
6. ALL PIPE WITHIN RIGHTS OF WAY SHALL HAVE PUSH-ON JOINTS WITH ELASTOMERIC GASKET SEALS.
7. SIX INCH AND LARGER SERVICES SHALL CONNECT AT MANHOLES.



STANDARD 4" SERVICE LATERAL

| | |
|------------------|------------------|
| DATE: APRIL 2018 | STANDARD #: 4.12 |
| APPROVED: | SHEET # 1 OF 1 |
| | REVISION: |