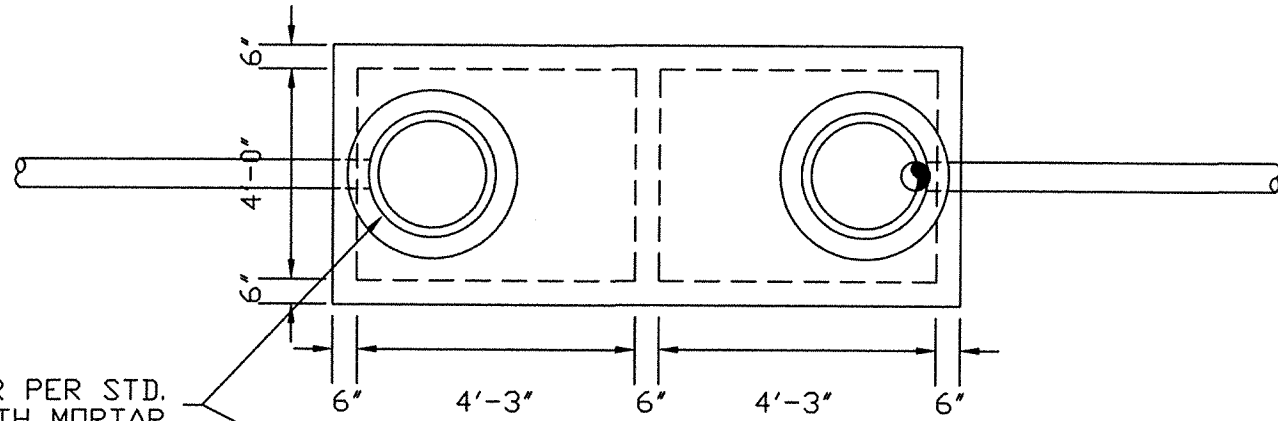
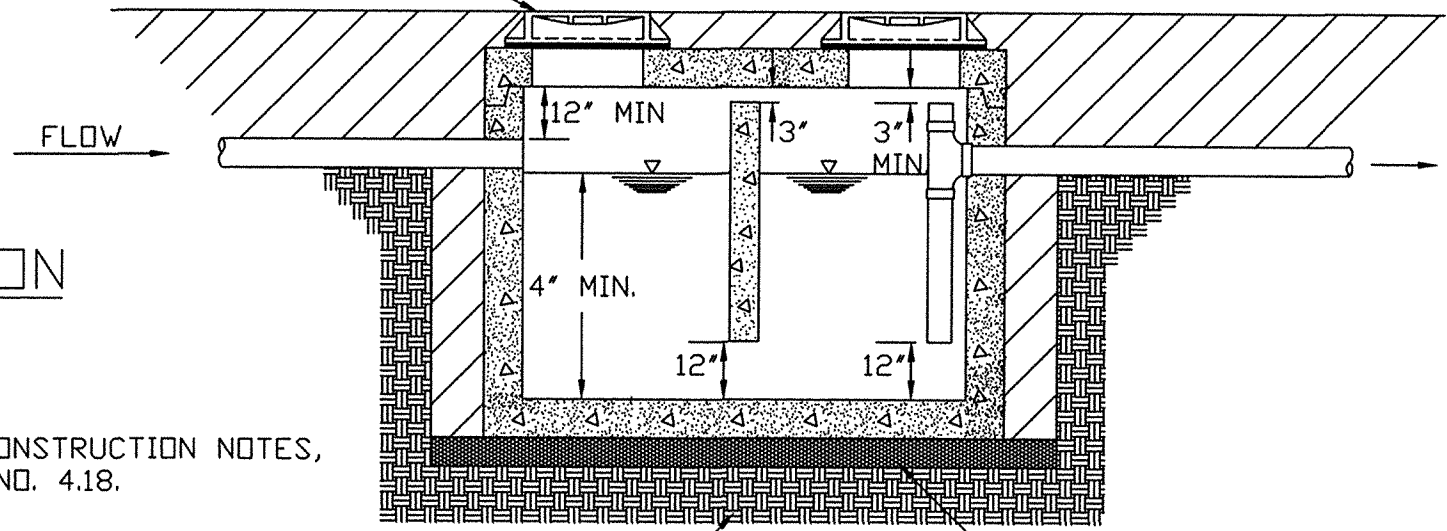


PLAN



2 EA. C.I. FRAME & COVER PER STD. DWG. NO. 4.6 SECURED WITH MORTAR

ELEVATION



NOTE: FOR GENERAL CONSTRUCTION NOTES, REFER TO STD. NO. 4.18.

WELL COMPACTED SUBGRADE (95% MIN. STAND PROCTOR)

6" MIN. CLEAN WASHED STONE BEDDING (NCDOT #57 OR EQUAL)

OIL/GREASE INTERCEPTER (1000 GALLON & LARGER CAPACITY)

| REVISIONS | | |
|-----------|------|-------------|
| NO | DATE | DESCRIPTION |
| | | |
| | | |
| | | |

**CITY OF ROCKY MOUNT
DEPT. OF ENGINEERING**

APPROVED
-
DATE
01-30-03

STD. NO.
4.17
REVISION
-