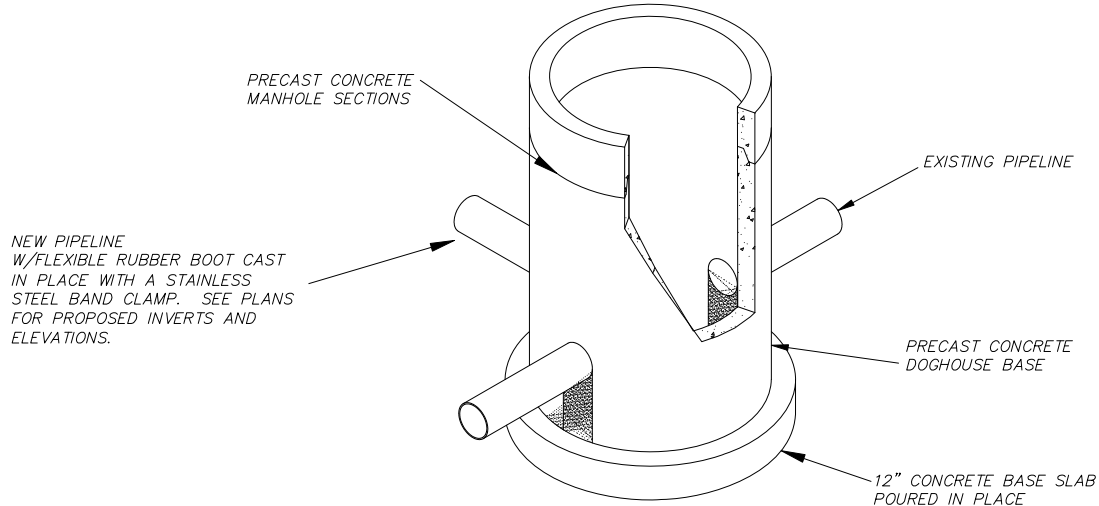


FILL HOLE WITH NON-SHRINK GROUT. APPROACH FROM INTERIOR AND EXTERIOR. APPLY GENEROUS APPLICATION OF BITUMINOUS COATING TO EXTERIOR (TYP).

REMOVE EXISTING PIPE SECTION AND FORM BENCHES TO DIRECT FLOW



NOT TO SCALE

DOGHOUSE MANHOLE

CITY OF ROCKY MOUNT
DEPT. OF ENGINEERING

APPROVED
—
DATE
09-25-09

STD. NO.
4.32
REVISION
—

REVISIONS		
NO	DATE	DESCRIPTION