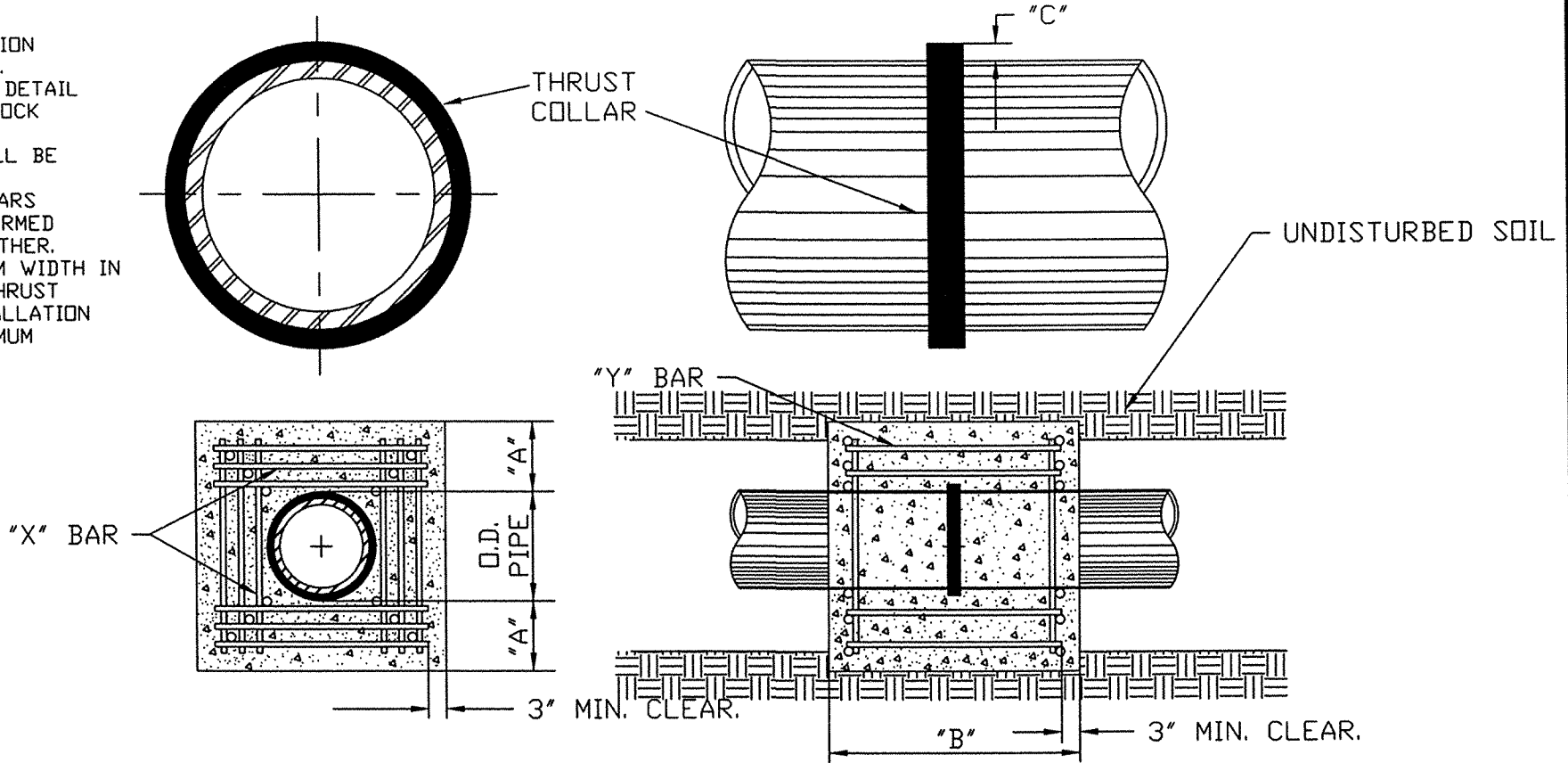


NOTES:

1. SEE CONSTRUCTION SPECIFICATIONS.
2. SEE STANDARD DETAIL FOR THRUST BLOCK LOCATIONS
3. CONCRETE SHALL BE 2500 P.S.I.
4. REINFORCING BARS SHALL BE DEFORMED AND TIED TOGETHER.
5. TRENCH BOTTOM WIDTH IN VICINITY OF THRUST BLOCK(S) INSTALLATION SHALL BE MINIMUM WIDTH.
6. BACKFILL TAMPED IN 6" LAYERS.



REINFORCING REQUIREMENTS

REINFORCING BAR SCHEDULE

I.D. PIPE	REBAR SIZE	"X" BAR LENGHT	"X" BAR WGHT.	"Y" BAR LENGHT	"Y" BAR WGHT.	NO. REQD.
6'-36"	#5	2'-2"+O.D. PIPE	1.043 LBS./FT	1'-1"	1.1 LBS. EA.	X-24,Y-12
48"	#6	3'-0"+O.D. PIPE	1.502 LBS./FT	1'-3"	1.9 LBS. EA.	X-24,Y-12

REINFORCING BAR SCHEDULE

I.D. PIPE	"A"	"B"	"C" - 6'-16", 20'-24", 30'-36", 48"
6'-36"	1'-4"	1'-7"	2" 3" 4"
48"	1'-8"	1'-9"	6"

THRUST COLLAR FOR WATER MAINS

**CITY OF ROCKY MOUNT
DEPT. OF ENGINEERING**

APPROVED

DATE
07-13-01

STD. NO.

5.19
REVISION

REVISIONS		
NO	DATE	DESCRIPTION