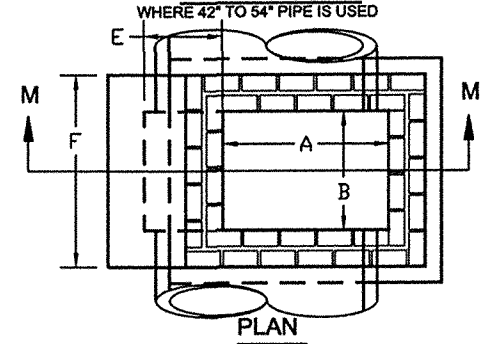
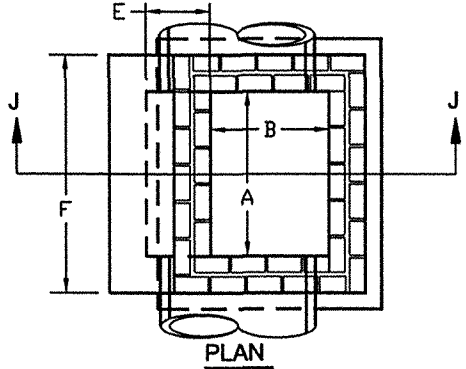
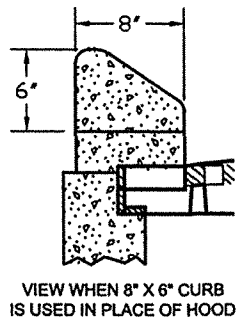
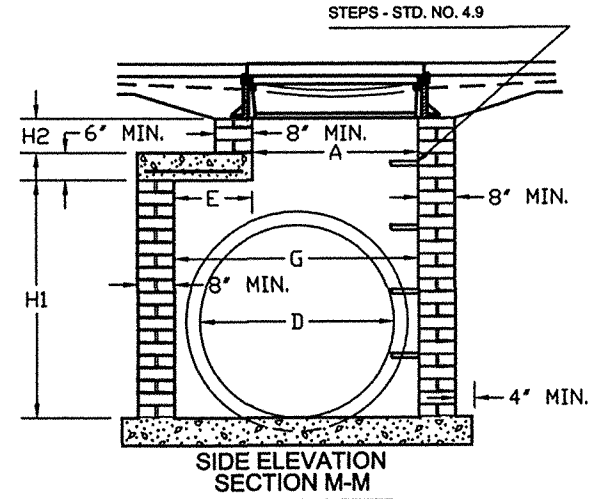
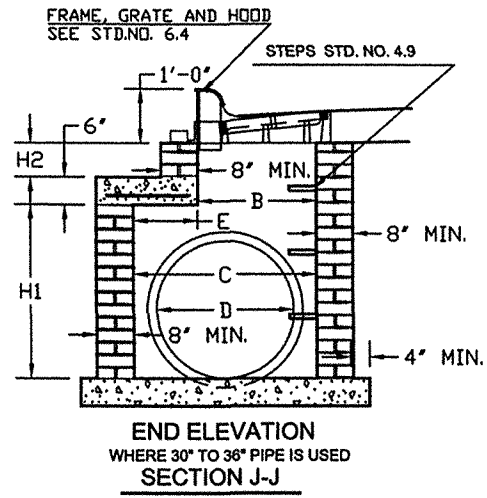
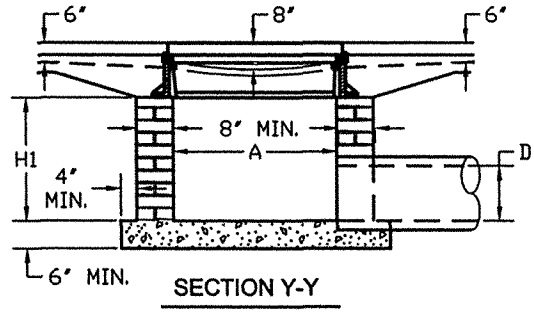


GENERAL NOTES:  
MORTAR JOINTS SHALL BE 1/2" TO 1/8" THICK.  
CLASS "A" CONCRETE SHALL BE USED THROUGHOUT.  
USE TYPE "E", "F" AND "G" GRATES UNLESS OTHERWISE INDICATED.  
ALL CATCH BASINS OVER 3'-6" IN DEPTH TO BE PROVIDED WITH STEPS 1'-2" ON CENTER. STEPS SHALL BE IN ACCORDANCE WITH STD. NO. 4.9.  
JUMBO BRICK WILL BE PERMITTED. CONCRETE BRICK OR 4" SOLID CONCRETE BLOCKS MAY BE USED IN LIEU OF CLAY BRICK.  
IF REINFORCED CONCRETE PIPE IS SET IN BASE SLAB OF BOX, ADD TO BASE TO PROVIDE CONSISTANT THICKNESS OF CONCRETE.  
FOR 8'-0" IN HEIGHT OR LESS, USE 8" WALL. OVER 8'-0" IN HEIGHT, USE 12" WALL TO 6'-0" FROM TOP OF WALL AND 8" WALL FOR THE REMAINING 6'-0".  
QUANTITIES TO BE ADJUSTED ACCORDINGLY.



MASONRY CATCH BASIN (12" THROUGH 54") - SHEET 1 OF 2

REVISIONS		
NO.	DATE	DESCRIPTION

CITY OF ROCKY MOUNT  
DEPT. OF ENGINEERING

APPROVED	STD. NO.
-	6.4
DATE	REVISION
04-20-00	-