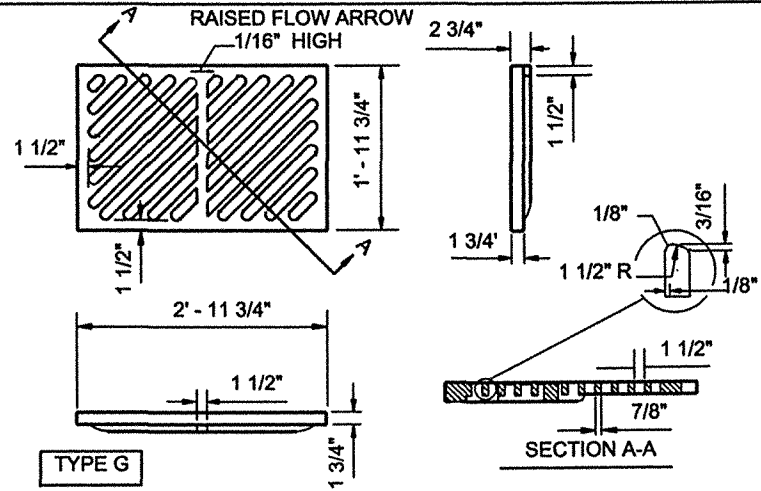
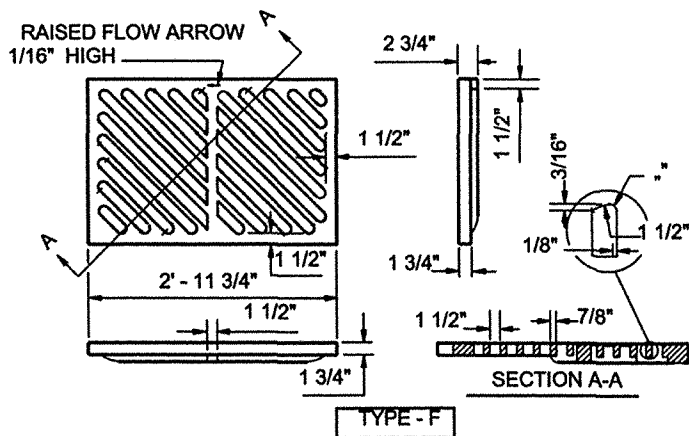
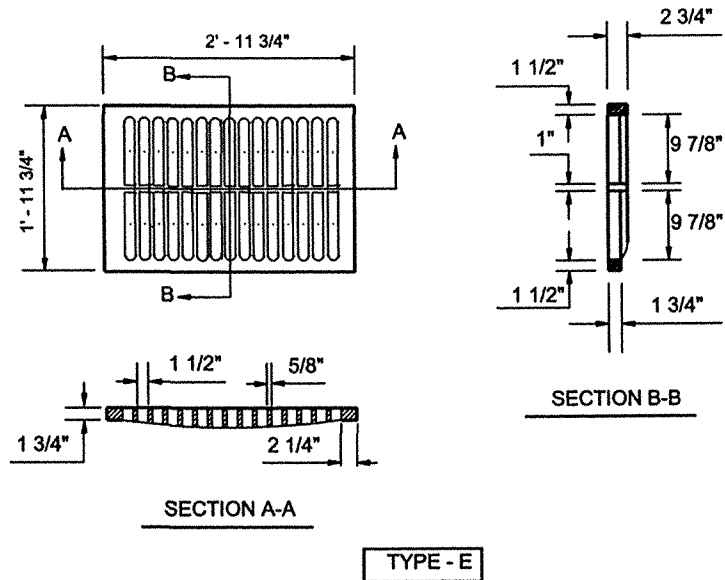
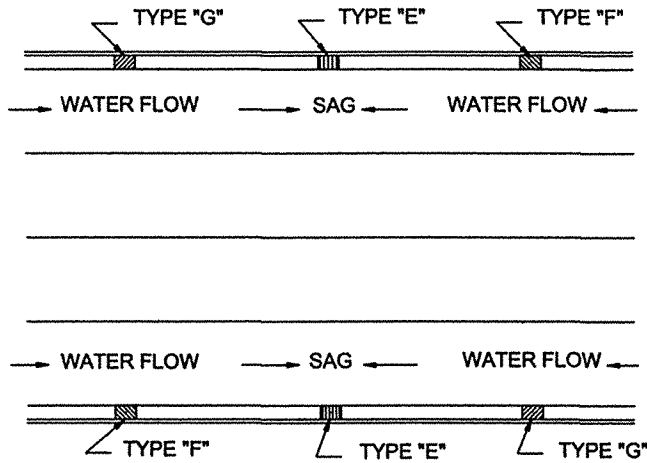


DETAIL SHOWING TYPES OF GRATES  
TO BE USED ACCORDING TO WATER FLOW.



## GRATE INSTALLATIONS FOR STANDARD CATCH BASINS

REVISIONS		
NO.	DATE	DESCRIPTION

CITY OF ROCKY MOUNT  
DEPT. OF ENGINEERING

APPROVED	
DATE	04-20-00

STD. NO.	6.7
REVISION	