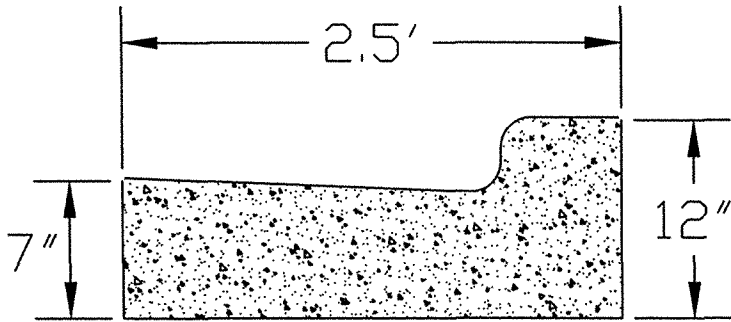
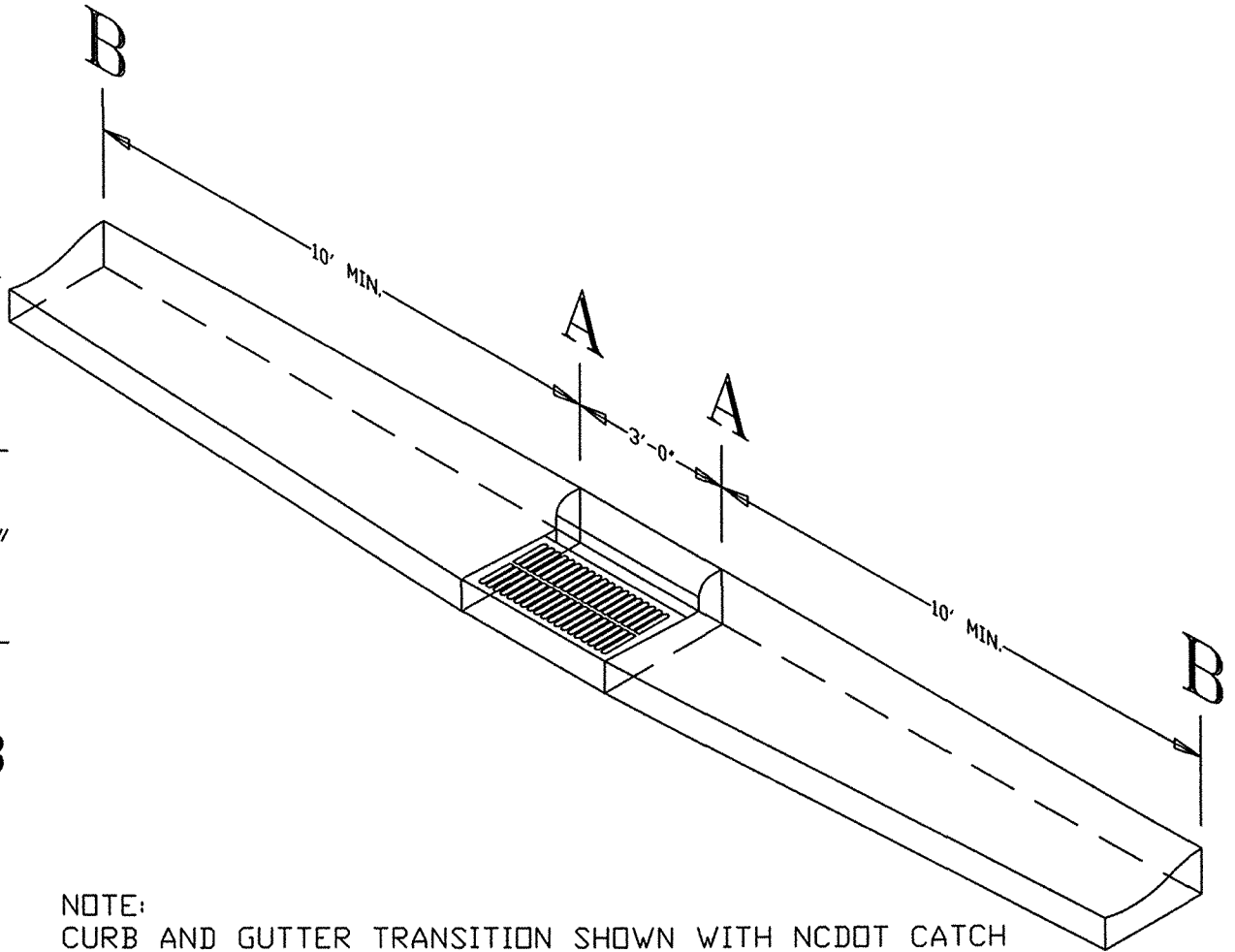
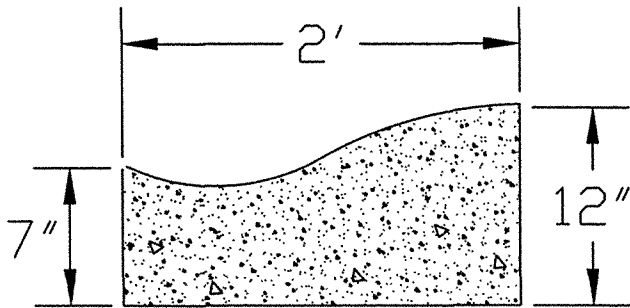


CROSS-SECTION AT A



CROSS-SECTION AT B



NOTE:
 CURB AND GUTTER TRANSITION SHOWN WITH NCDOT CATCH
 BASIN (COMBINED INLET.) TRANSITION MAY ALSO BE USED
 WITH CURB INLETS EXCEPT FOR THE ADDITION OF TWO
 EACH #4 REBARs IN GUTTER SECTION AND TOOLED
 CONTRACTION JOINTS AT ENDS OF CASTING PER STD. NO. 6.1

TRANSITION FROM ROLL TO STANDARD CURB FOR CATCH BASINS

REVISIONS		
NO.	DATE	DESCRIPTION

CITY OF ROCKY MOUNT
 DEPT. OF ENGINEERING

APPROVED	-
DATE	04-20-00

STD. NO.	6.8
REVISION	-