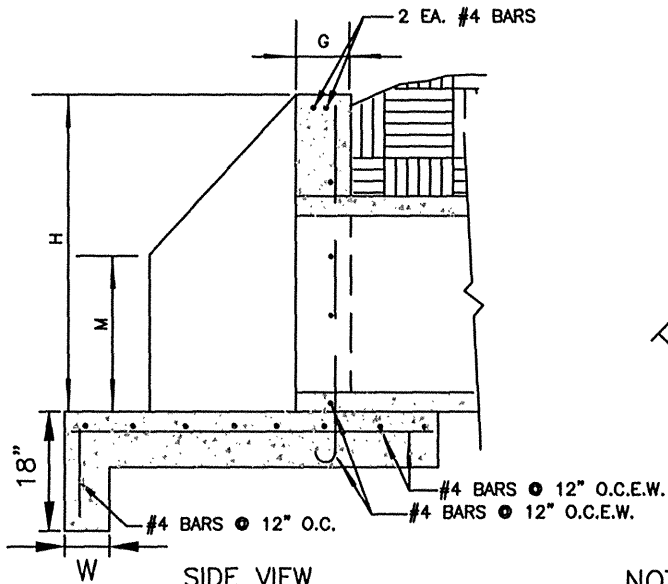
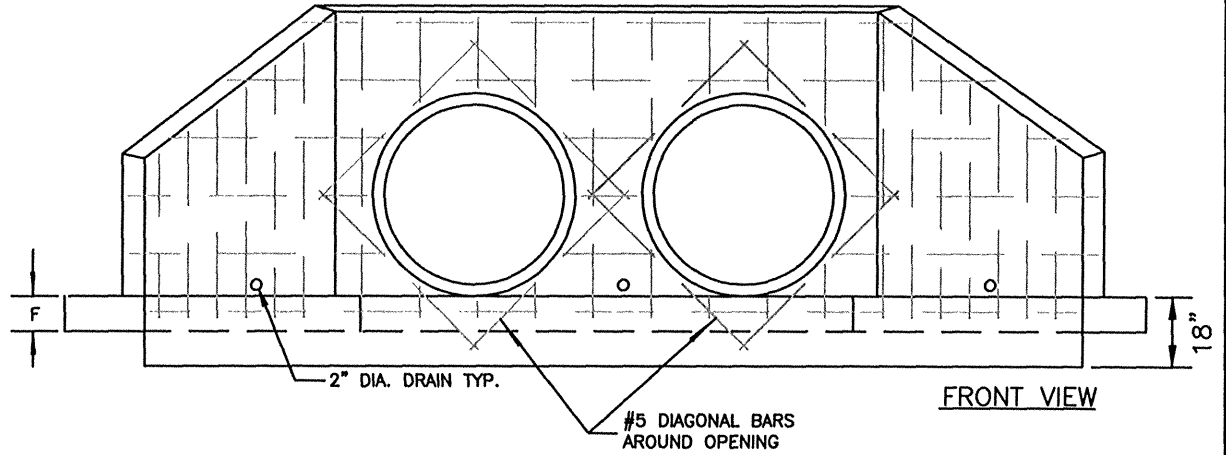
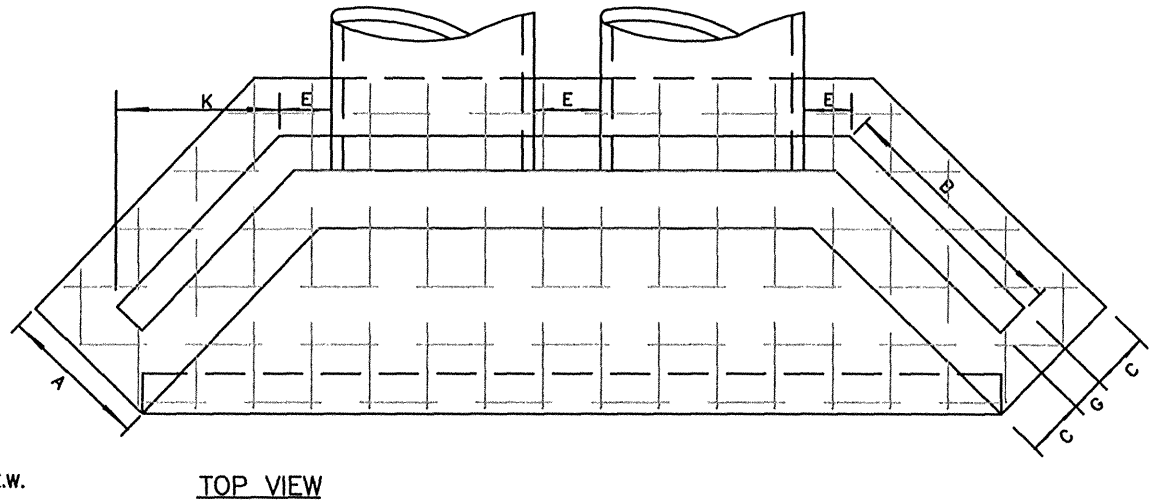


CONCRETE PIPE			DIMENSIONS										
WALL THK.	OUT DIA.	IN DIA.	MIN. H	A	B	C	E	F	G	W	K	M	
3 1/2"	37"	30"	45"	20"	44"	12"	15"	6"	8"	8"	31"	18"	
4"	44"	36"	52"	32"	44"	12"	18"	6"	8"	8"	31"	22"	
4 1/2"	51"	42"	59"	32"	48"	12"	21"	6"	8"	8"	34"	26"	
5"	58"	48"	66"	32"	48"	12"	24"	6"	8"	8"	34"	29"	
5 1/2"	65"	54"	73"	32"	54"	12"	27"	6"	8"	8"	38"	33"	
6"	72"	60"	80"	36"	66"	12"	30"	8"	12"	12"	46"	36"	
6 1/2"	79"	66"	87"	36"	72"	12"	33"	8"	12"	12"	51"	40"	
7"	86"	72"	94"	36"	78"	12"	36"	8"	12"	12"	56"	43"	



SIDE VIEW
FOR RIP RAP SPLASH PAD
REFER TO STD. 3.22



TOP VIEW

NOTE: FOR CONSTRUCTION NOTES, SEE STD. NO. 6.19.

CONCRETE WINGWALL WITH SPLASH PAD FOR DOUBLE PIPES

REVISIONS		
NO	DATE	DESCRIPTION

CITY OF ROCKY MOUNT
DEPT. OF ENGINEERING

APPROVED -	STD. NO. 6.20
DATE 07-13-01	REVISION -