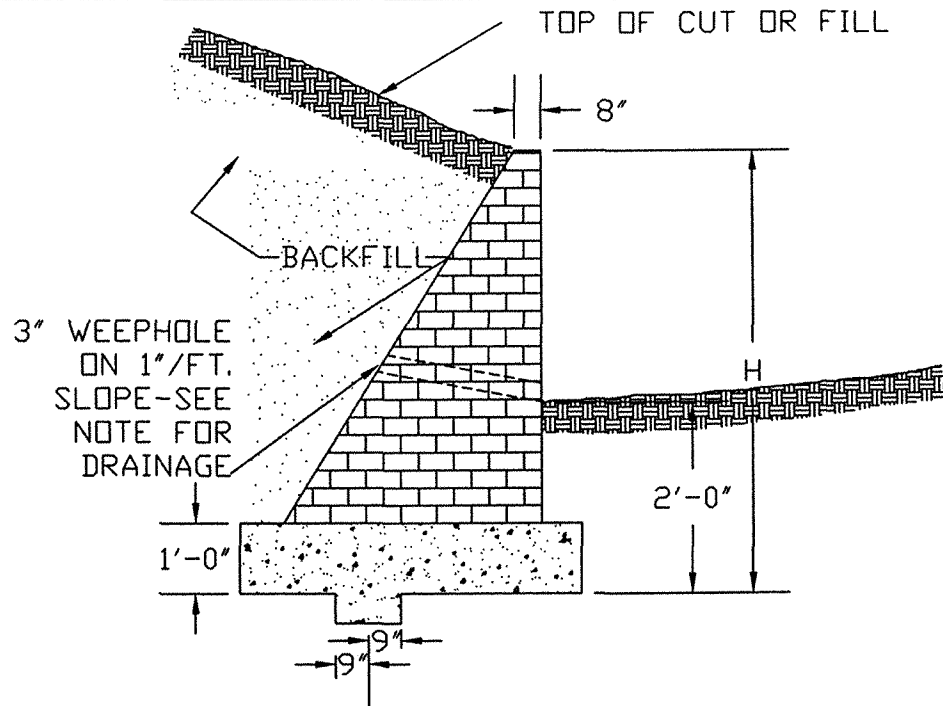


SECTION OF
CONCRETE RETAINING WALL



SECTION OF
BRICK MASONRY RETAINING WALL

GENERAL NOTES:

WEEP HOLES 3" IN DIAMETER SHALL BE PLACED AT APP. 10'-0" INTERVALS JUST ABOVE SURFACE OF EXISTING GROUND.

A STONE DRAIN CONSISTING OF 1 CUBIC FOOT OF NO. 11 OR NO. 13 STONE CONTAINED IN A BAG OF POROUS FABRIC SHALL BE PLACED AT EACH WEEP HOLE. SUBDRAIN FINE AGGREGATE SHALL BE PLACED AROUND, AND OVER THE STONE DRAIN IS COVERED BY A LAYER OF SUBDRAIN FINE AGGREGATE AT LEAST 1' THICK. A HORIZONTAL DRAIN OF SUB DRAIN FINE AGGREGATE AT LEAST 1' SQUARE IN CROSS SECTION SHALL BE PLACED TO CONNECT ALL STONE DRAINS.

A VERTICAL DRAIN OF SUBDRAIN FINE AGGREGATE AT LEAST 1' SQUARE IN CROSS SECTION SHALL BE PLACED AT EACH WEEP HOLE TO AN ELEVATION 2' BELOW SURFACE OF EMBANKMENT.

CLASS 'A' CONCRETE TO BE USED THROUGHOUT FOR CONCRETE RETAINING WALL AND FOR FOOTING FOR BRICK RETAINING WALLS.

IN CONCRETE RETAINING WALL, 1/2" EXPANSION JOINT EVERY 25'.

H	B
4'- 0" TO 6'- 0"	.5H+1'-0"
6'- 0" TO 10'- 0"	.65H+1'-0"

STANDARD CONCRETE & BRICK RETAINING WALLS W/SLOPING SURCHARGE

REVISIONS		
NO	DATE	DESCRIPTION

CITY OF ROCKY MOUNT
DEPT. OF ENGINEERING

APPROVED

DATE
07-13-01

STD. NO.

6.23
REVISION