

PLAN

GENERAL NOTES:

ALL CORNERS TO BE CHAMFERED 1'.
 THE CONTRACTOR WILL BE REQUIRED TO PLACE 2-#6 BARS 'Y' IN THE TOP OF ALL ENDWALLS FOR PIPE CULVERTS 42" AND OVER WITH A MINIMUM 3" COVER AND A LENGTH 6" LESS THAN ENDWALL.

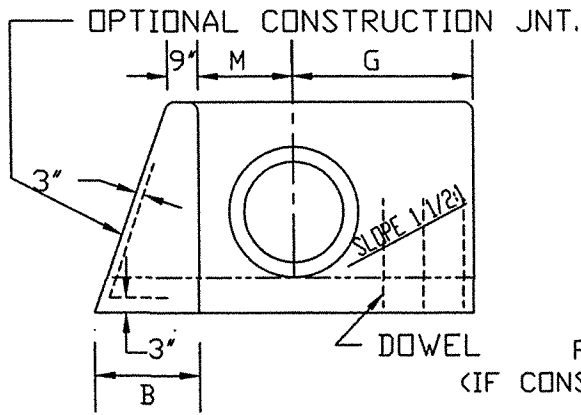
IF CONTRACTOR ELECTS TO USE CONSTRUCTION JOINT AT BOTTOM OF PIPE, BAR 'X' (DOWELS) SHALL BE IN THE BASE AS SHOWN ON PLANS. SPACING TO BE APPROXIMATELY 12" CENTERS UNLESS ENGINEER DIRECTS OTHERWISE.

WHEN CONTRACTOR ELECTS TO USE CONSTRUCTION JOINT AT BOTTOM OF PIPE AND POURS BASE SEPARATELY, THE TOP OF THE BASE SHALL BE LEFT ROUGH.

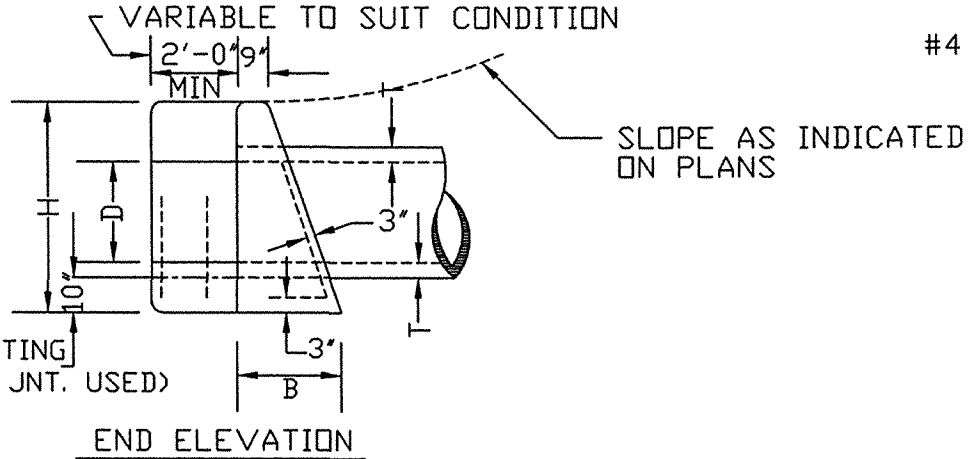
FORMS WILL BE USED IN CONSTRUCTION OF BOTTOM SLAB.

WALL THICKNESS (T) SHOWN IS NOT TO BE INTERPRETED TO MEAN THE THICKNESS ACCEPTABLE, BUT ARE USED ONLY IN COMPUTATIONS OF ENDWALL QUANTITIES.

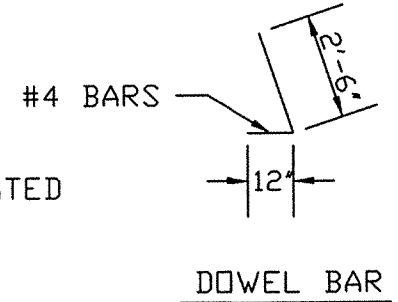
CLASS 'A' CONCRETE SHALL BE USED



ELEVATION



END ELEVATION



REINFORCING QUANTITIES													
SPAN	15	18	24	30	36	42CM	42RC	48CM	48RC				
BARS	X	X	X	X	X	X	Y	X	Y	X	Y	X	Y
QTY.	5	5	6	6	7	7	2	7	2	8	2	8	2
LBS.	12	12	14	14	16	47	49	52	55				

DIMENSIONS AND CONCRETE QUANTITIES												
COMMON DIMENSIONS							COMMON DIMENSIONS					
D	H	B	G	M	T	CU YD	H	B	G	M	CU YD	
15'	3'- 4'	1'- 8'	2'- 9'	1'- 0'	1 7/8"	0.960	3'- 0"	1'- 6"	2'- 6"	0'-11"	0.770	
18'	3'- 7"	1'-10"	3'- 2"	1'- 2"	2"	1.193	3'- 3"	1'- 8"	2'-11"	1'- 0"	0.964	
24'	4'- 2"	2'- 1'	4'- 0"	1'- 5"	2 1/2"	1.711	3'- 9"	1'-11"	3'- 8"	1'- 3"	1.385	
30'	4'- 9"	2'- 5"	4'- 7"	1'- 9"	2 3/4"	2.394	4'- 3"	2'- 2"	4'- 5"	1'- 6"	1.908	
36'	5'- 3"	2'- 8"	5'- 6"	2'- 0"	3"	3.169	4'- 9"	2'- 5"	5'- 2"	1'- 9"	2.544	
42'	5'-10"	2'-11"	6'- 4"	2'- 4"	3 1/2"	4.139	5'- 3"	5'- 3"	5'-11"	2'- 0"	3.301	
48'	6'- 5"	3'- 3"	7'- 2"	2'- 8"	4"	5.422	5'- 9"	2'-11"	6'- 8"	2'- 3"	4.193	

STANDARD CONCRETE "L" ENDWALL FOR SINGLE PIPE CULVERTS
 15" THRU 48" PIPE

REVISIONS		
NO	DATE	DESCRIPTION

CITY OF ROCKY MOUNT
 DEPT. OF ENGINEERING

APPROVED

STD. NO.

6.27

DATE

REVISION

07-13-01