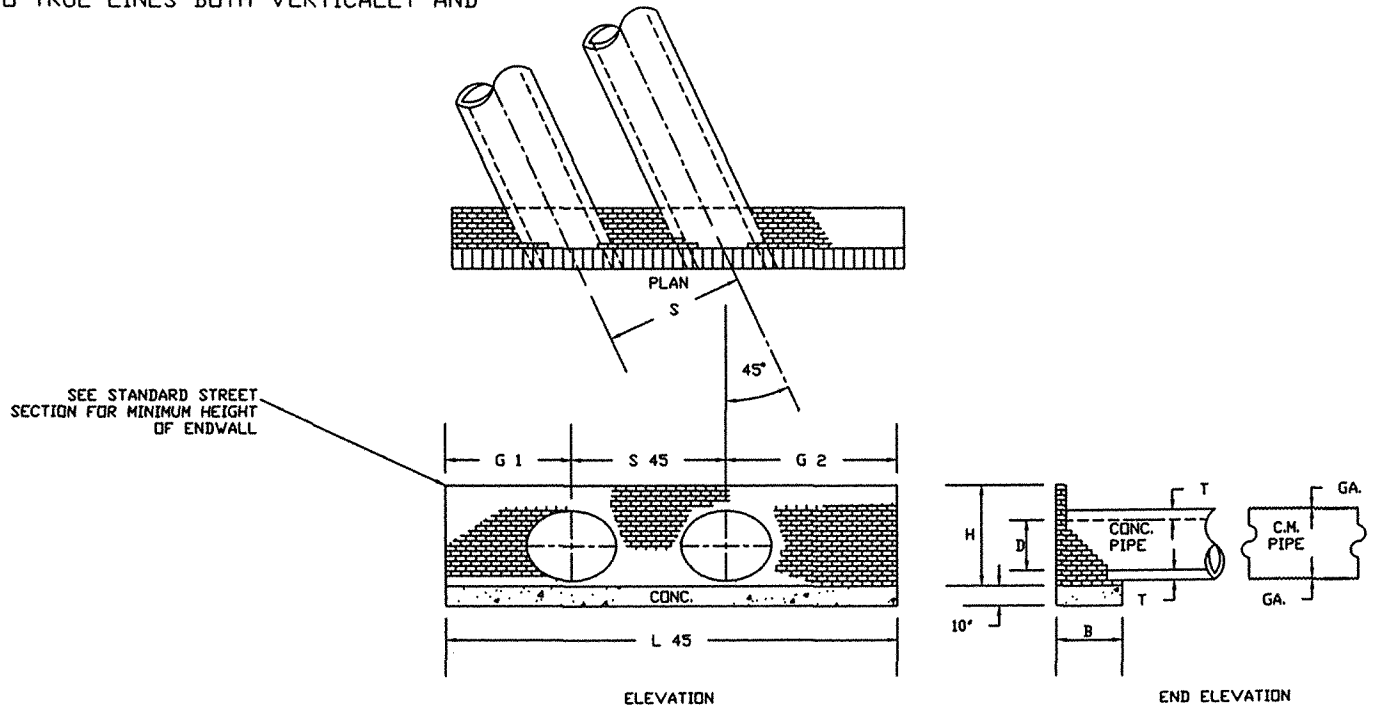


DIMENSIONS AND QUANTITIES

USING CONCRETE PIPE																	USING CORRUGATED METAL PIPE												
COMMON DIMENSIONS				SINGLE PIPE					DOUBLE PIPE								COMMON DIM.		SINGLE PIPE					DOUBLE PIPE					
D	B	H	T	G 1	G 2	L 45	BRICK CU.YD.	CONC. CU.YD.	G 1	G 2	S	S 45	L 45	BRICK CU.YD.	CONC. CU.YD.	H	B	G 1	G 2	L 45	BRICK CU.YD.	CONC. CU.YD.	G 1	G 2	S	S 45	L 45	BRICK CU.YD.	CONC. CU.YD.
15"	1'-8"	2'-5"	1 7/8"	2'-10"	4'-0"	6'-10"	0.513	0.352	2'-10 3/8"	4'-0 3/8"	2'-3"	3'-2 1/4"	10'-1"	0.692	0.519	2'-3"	1'-4"	2'-9"	3'-11"	6'-8"	0.454	0.274	2'-9 3/8"	3'-11 3/8"	2'-1"	2'-11 1/4"	9'-8"	0.617	0.398
18"	1'-8"	2'-8"	2"	3'-2"	4'-6"	7'-8"	0.656	0.394	3'-2 1/8"	4'-6 1/8"	2'-7"	3'-7 3/4"	11'-4"	0.895	0.583	2'-5"	1'-8"	3'-0"	4'-3"	7'-3"	0.56	0.373	3'-0 1/8"	4'-3 1/8"	2'-7"	3'-7 3/4"	10'-11"	0.786	0.562
24"	2'-0"	3'-4"	2 1/2"	4'-1"	5'-10"	9'-11"	1.174	0.612	4'-1"	5'-10"	3'-5"	4'-10"	14'-9"	1.567	0.91	2'-11"	1'-8"	3'-9"	5'-4"	9'-1"	0.675	0.467	3'-9"	5'-4"	3'-0"	4'-3"	13'-4"	1.166	0.886
30"	2'-4"	3'-9"	3 3/4"	4'-8"	6'-8"	11'-4"	1.614	0.816	4'-8"	6'-8"	4'-3"	6'-0"	17'-4"	2.218	1.248	3'-4"	2'-0"	4'-5"	6'-3"	10'-8"	0.875	0.558	4'-5"	6'-3"	3'-10"	5'-5"	16'-1"	1.715	0.993
36"	2'-4"	4'-3"	3"	5'-5"	7'-8"	13'-1"	2.171	0.942	5'-5 3/8"	7'-8 3/8"	5'-1"	7'-2 1/4"	20'-4"	3.013	1.401	3'-9"	2'-4"	5'-0"	7'-1"	12'-1"	1.236	0.87	5'-0 3/8"	7'-1 3/8"	4'-6"	6'-4 1/4"	18'-6"	2.4	1.332
42"	2'-8"	4'-11"	3 1/2"	6'-4"	9'-0"	15'-4"	3.298	1.262	6'-4"	9'-0"	5'-10"	8'-3"	23'-7"	4.516	1.941	4'-5"	2'-8"	6'-0"	8'-6"	14'-6"	2.74	1.193	6'-0"	8'-6"	5'-3"	7'-5"	21'-11"	3.711	1.804
48"	3'-0"	5'-7"	4"	7'-3"	10'-3"	17'-6"	4.597	1.62	7'-3 1/4"	10'-3 1/4"	6'-9"	9'-6 1/2"	27'-1"	6.283	2.508	4'-11"	2'-8"	6'-9"	9'-7"	16'-4"	3.577	1.344	6'-9 1/4"	9'-7 1/4"	6'-0"	8'-5 1/2"	24'-10"	4.855	2.044

GENERAL NOTES:  
 ALL MORTAR JOINTS ARE TO BE 1/2" +/- 1/8"  
 BRICKWORK SHALL BE BONDED WITH FULL HEADERS EVERY THREE COURSES.  
 ALL EXPOSED JOINTS SHALL BE CONCAVE TOOLED.  
 WALL THICKNESS (T) SHOWN IS NOT TO BE INTERPRD TO MEAN THE THICKNESS ACCEPTABLE BUT ARE USED ONLY IN COMPUTING ENDWALL DIMENSIONS AND QUANTITIES.  
 ALL BRICK WALLS SHALL BE LAID TO TRUE LINES BOTH VERTICALLY AND HORIZONTALLY.



STANDARD BRICK ENDWALL FOR SINGLE & DOUBLE PIPE CULVERTS 15" THRU 48" PIPE-45 ° SKEW

REVISIONS		
NO	DATE	DESCRIPTION

CITY OF ROCKY MOUNT  
 DEPT. OF ENGINEERING

APPROVED	STD. NO.
-	6.26
DATE	REVISION
07-13-01	-