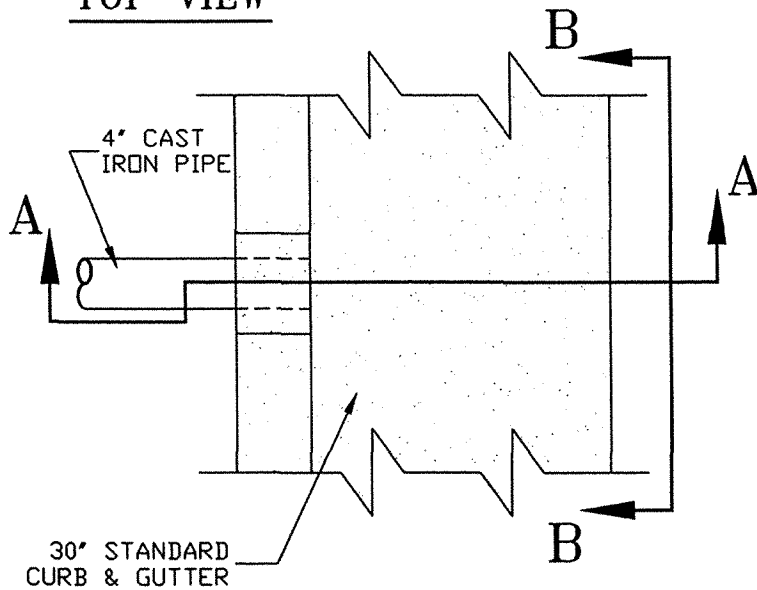


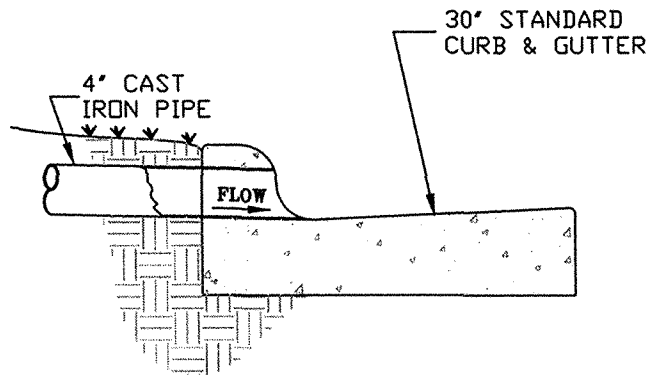
TOP VIEW



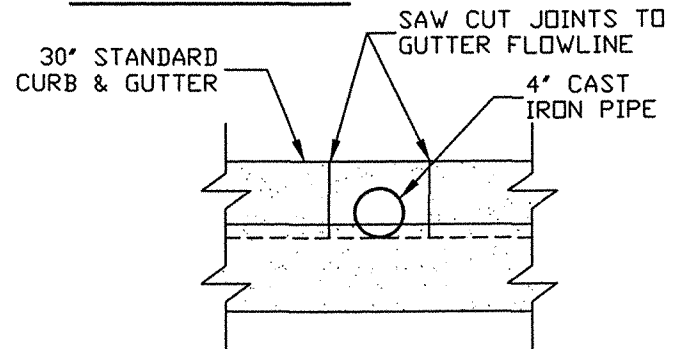
NOTES:

STORM DRAINS SHALL NOT BE CONNECTED WITHIN 18" OF CONTRACTION OR EXPANSION JOINTS.  
 MINIMUM GRADE FOR DRAIN SHALL BE 1% (1/8" PER FOOT.) MAXIMUM GRADE SHALL BE 4% (1/2" PER FOOT.)  
 MINIMUM SPACING BETWEEN MULTIPLE CONNECTIONS SHALL BE 18".  
 THE EDGES OF THE DRAIN MUST BE ROUNDED AND FINISHED SMOOTH AT THE FACE OF THE CURB.  
 PATCH CURB WITH CLASS A CONCRETE CONSISTANT WITH EXISTING CURB & GUTTER SECTION.

SECTION A-A



SECTION B-B



**DRAIN CONNECTION THROUGH CURB & GUTTER**

REVISIONS		
NO	DATE	DESCRIPTION

**CITY OF ROCKY MOUNT  
 DEPT. OF ENGINEERING**

<b>APPROVED</b> -
<b>DATE</b> 04-20-00

<b>STD. NO.</b> 6.30
<b>REVISION</b> -