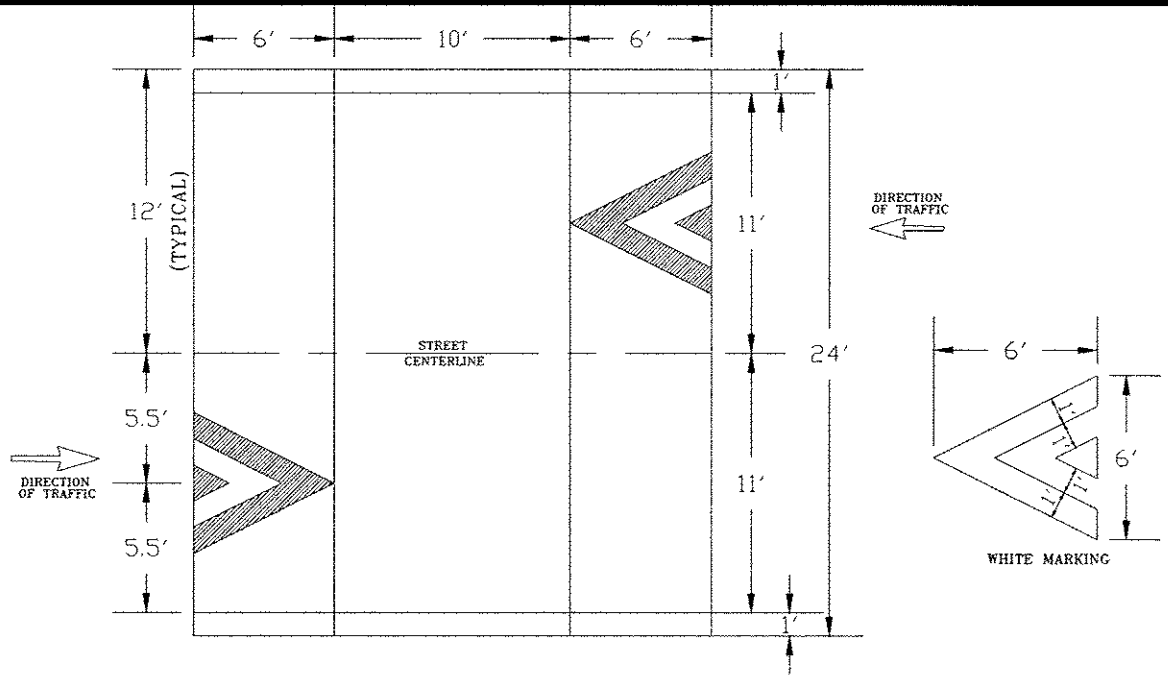
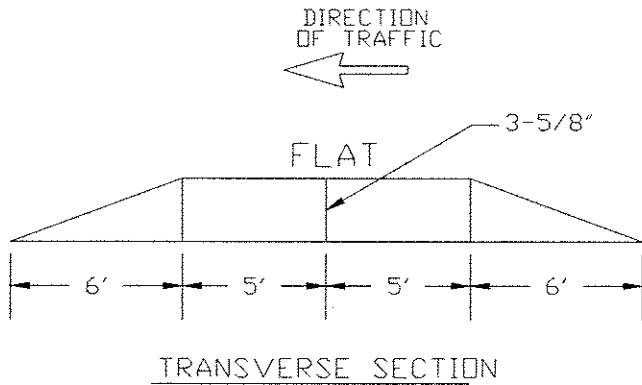
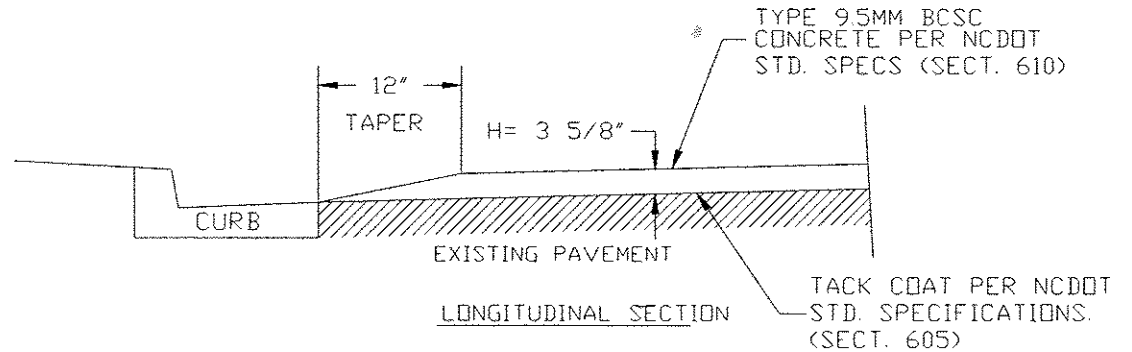


NOT TO SCALE:



NOTES:

1. THE ASPHALT PLANT MIX SHALL BE COMPACTED TO A DENSITY OF AT LEAST 94%.
2. SPEED HUMPS NOT PERMITTED ON PUBLIC STREETS.



SPEED HUMP DETAIL

CITY OF ROCKY MOUNT
DEPT. OF ENGINEERING

REVISIONS		
NO	DATE	DESCRIPTION

APPROVED	STD. NO.
-	7.10
DATE	REVISION
11-13-09	-